



BP Lifts

By Barker Products
1310 Miller Road, Greenville, SC 29607
Phone:800-349-3149 Fax:707-371-4886



Model BPHB3-1535 Lift Unit

FOR REAR LOADERS
WITH LOW HOPPER HEIGHT



- **Meets ANSI Z245 Type B Specifications**
- **Powered By The Dependable Smooth Acting Helical Rotary Actuator**
- **Splined Shafts To Eliminate Arm Movement And Wear**
- **EZ Bolt On Kit Standard**
- **Hardened Steel Bearings For Long Life Cycle**
- **35" To 37" Mounting Height**
- **19" To 21" Ground Clearance**

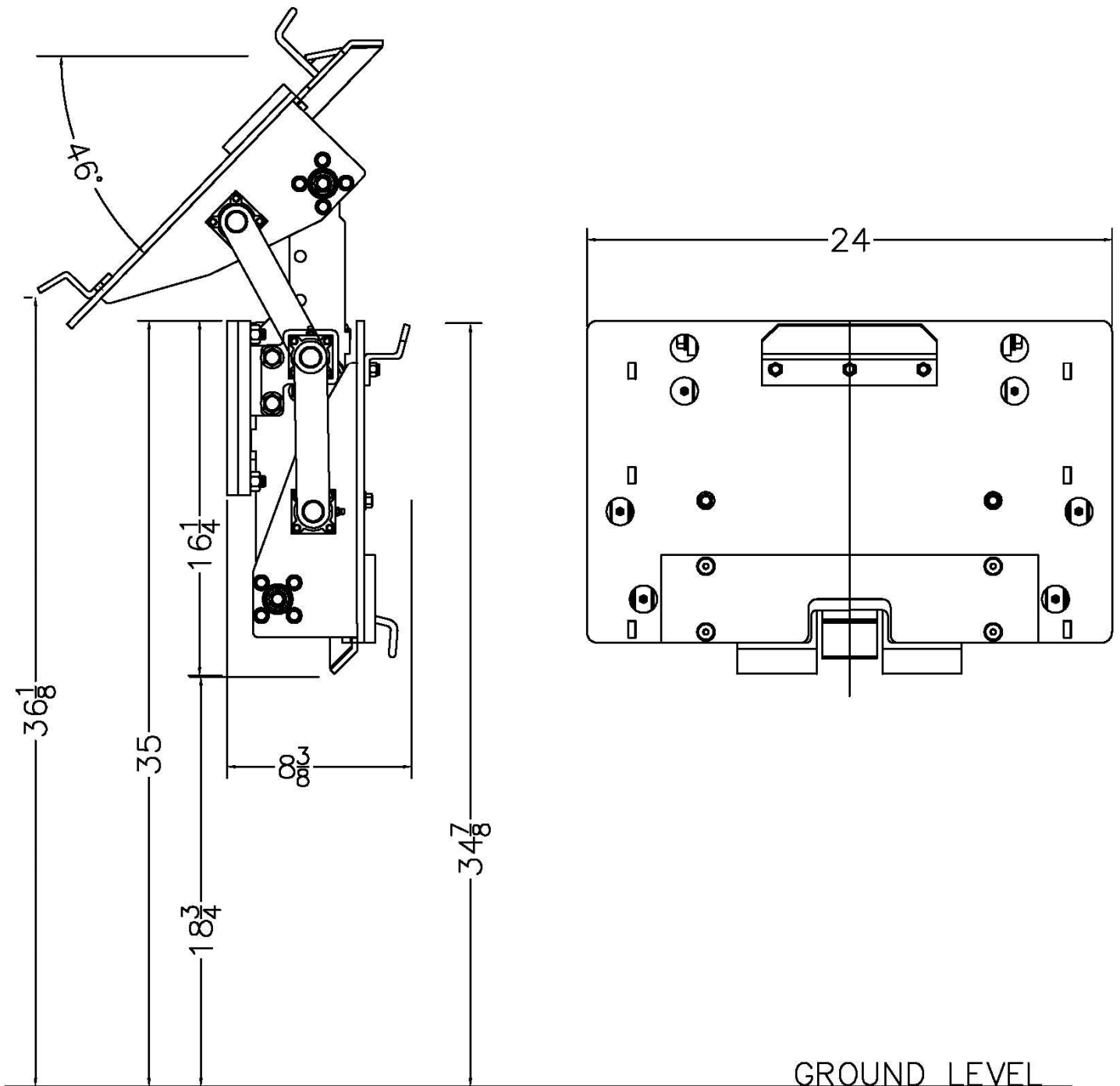


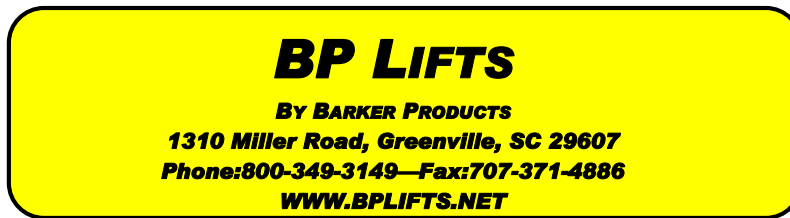
Bp Lifts
By Barker Products
1310 Miller Road, Greenville, SC 29607



HB3-1535

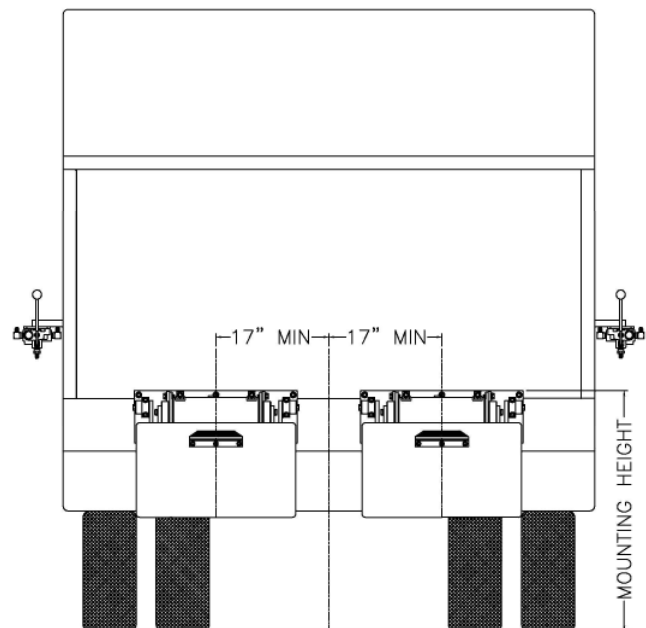
Envelope Dimensions





Lift Unit Installation

1. Truck must be empty, clean and parked on a level surface before installation is started.
2. Remove all bumpers and running boards that will interfere with the location of the lift units. Relocate lower mounted tail lights as needed.
3. Measure and mark the centerline of the truck hopper. The centerline of the unit or units should be a minimum of 17" from the hopper centerline.
4. Hand valves should be mounted on the side of the hopper at the most convenient height for the operator and clear of the packer controls.
5. The top of the unit mounting plate should be tack welded in place at the height recommended on the envelope dimension sheet of the unit.
CAUTION: SEE NOTE BELOW PICTURE
6. All dimensions should be approved by the customer before final welding.
7. If the mounting plate extends more than 2" above the hopper, a brace should be added.



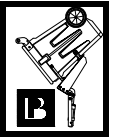
Mounting heights and locations are recommendations only. It is the responsibility of the installer to insure that the customer is satisfied with the height. Barker Products recommends that after the units are tacked in place, try the units with the can or cans the customer uses. The customer should approve your mount before final welding.



1310 Miller Road
Greenville, SC 296078

Barker Products

Lift Unit Specialist



Phone:864-288-7384
Fax:864-297-1292

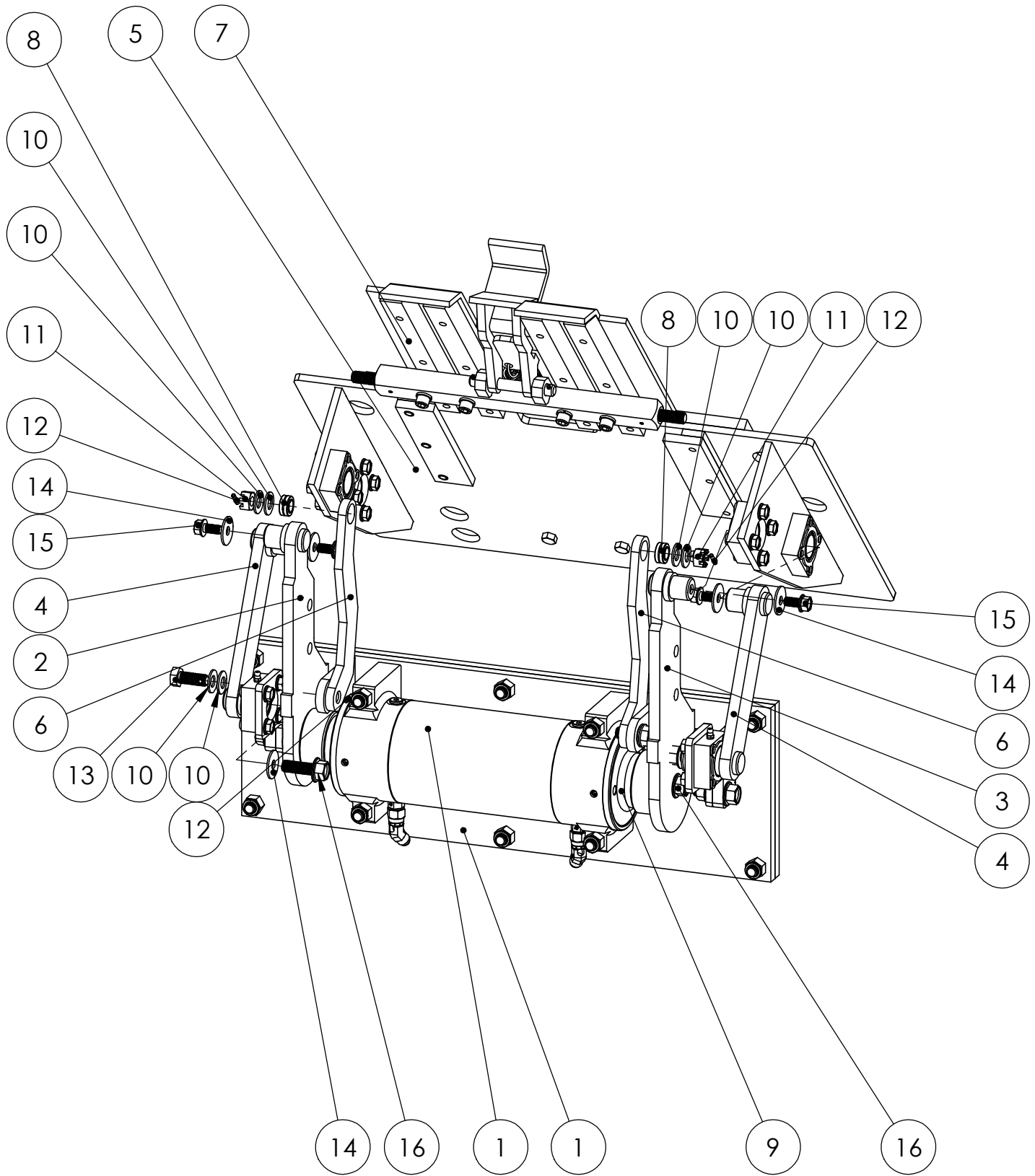
BPH SERIES LIFT UNIT WARRANTY

Barker Products warranties each new dump unit to be free of defects in material and workmanship under normal use and service for a period of 1 year or 2000 hours of operation, whichever comes first, from the date of delivery.

This warranty excludes any obligations by BARKER PRODUCTS for the cost of down time. BARKER PRODUCTS will not warranty any dump unit which has been subject to misuse, neglect, alteration, or damaged by an accident.

On any work not performed by BARKER PRODUCTS or it's representative, the customer will be responsible for freight charges on all parts shipped under warranty. Parts will be invoiced at time of shipment. Defective parts must be returned to BARKER PRODUCTS within 30 days. If the part is determined to be defective the customer will be credited for the original invoice.

Customer warranty labor charges must be approved by BARKER PRODUCTS in advance. If not contacted for approval, BARKER PRODUCTS will not be liable for the warranty labor charge.



DO NOT SCALE DRAWING		BH15-1535 PARTS	
UNLESS OTHERWISE SPECIFIED: DIMENSIONS ARE IN INCHES TOLERANCES: FRACTIONAL $\pm 1/32$ ANGULAR: MACH $\pm 1^\circ$ BEND $\pm 1^\circ$ TWO PLACE DECIMAL ± 0.010 THREE PLACE DECIMAL ± 0.005		DRAWING NO BU08535 PARTS	REV 00
SCALE: 1:6		WEIGHT: 199.220 #	SHEET 1 OF 2



BARKER PRODUCTS
1310 MILLER ROAD
GREENVILLE, SC
29607

DRAWN BY: R WYMAN
DATE: 9/5/2017
MATERIAL: NOTED

ITEM NO.	PART NUMBER	DESCRIPTION	EXPLODED/QTY.
1	BWA10700	MAINFRAME SUB ASSY	1
2	BW10730	LEFT LIFT ARM	1
3	BW10740	RIGHT LIFT ARM	1
4	BW10750	GUIDE ARM	2
5	BWA10720	LIFT PLATE SUB ASSY	1
6	BW10760	SLIDE LINK	2
7	BWA09990	SLIDE SUB ASSY	1
8	BW99308	1/2" SPHERICAL BEARING	2
9	BW07001	O-RING GREASE SEAL	2
10	BW02100	1/2" BELLEVILLE SPRING WASHER	8
11	XDE081300	1/2-13 SLOTTED NUT	2
12	BW02125	5/32 X 3/4 SPRING PIN	4
13	BW02140	1/2-13 X 1 1/4 LOCK BOLT	2
14	BW10780	BEARING CAP WASHER GEZ 16	6
15	XAE061606	3/8-16 X 3/4 FLANGED HHCS	4
16	XAE081312	3/8-16 X 1 1/2 FLANGED HHCS	4



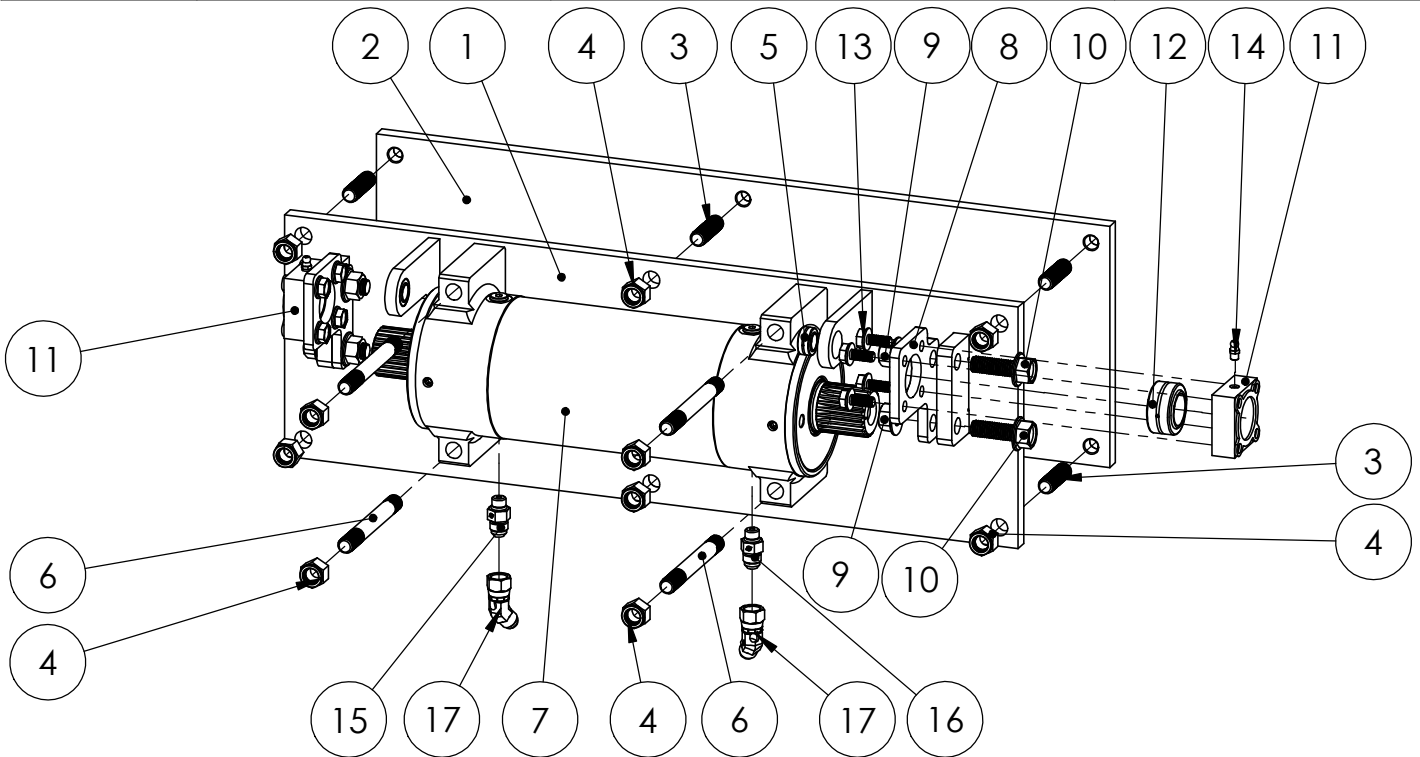
BARKER PRODUCTS
1310 MILLER ROAD
GREENVILLE, SC
29607

DRAWN BY: R WYMAN
DATE: 9/5/2017
MATERIAL: NOTED

DO NOT SCALE
DRAWING
UNLESS OTHERWISE SPECIFIED:
DIMENSIONS ARE IN INCHES
TOLERANCES:
FRACTIONAL ±1/32
ANGULAR: MACH ±1° BEND ±1°
TWO PLACE DECIMAL ±0.010
THREE PLACE DECIMAL ±0.005

BH15-1535 PARTS
DRAWING NO
BU08535 PARTS
SCALE: 1:1 WEIGHT: 199.220 # SHEET 2 OF 2
REV
00

ITEM NO.	PART NUMBER	DESCRIPTION	EXPLODED VIEW/QTY.
1	BW10700	MAINFRAME	1
2	BW07030	MOUNT PLATE H	1
3	BW07140	PLATE STUD	6
4	XDC082000	1/2-20 NYLOK NUT	10
5	BW99308	1/2" SPHERICAL BEARING	2
6	BW07125	ACTUATOR MOUNT STUD	4
7	BW07000	15K ACTUATOR	1
8	BW10710	GA BEARING MOUNT	2
9	XDH081300	1/2-13 FLANGED NUT	4
10	XAE081312	3/8-16 X 1 1/2 FLANGED HHCS	4
11	BW10770	BEARING HOUSING	2
12	BW99316	SPHERICAL BEARING GEZ 1	2
13	XAE051806	3/8-16 X 3/4 FLANGED HHCS	8
14	BW01110	GREASE FITTING - 1/4-28 SHORT	2
15	BV00053	093 X 6T4S ORIFICE FITTING	1
16	BR03825	6400-06-04 M TUBE X M ORING	1
17	BR04842	6502-06-06 MJ-FJS 45 DEG	2



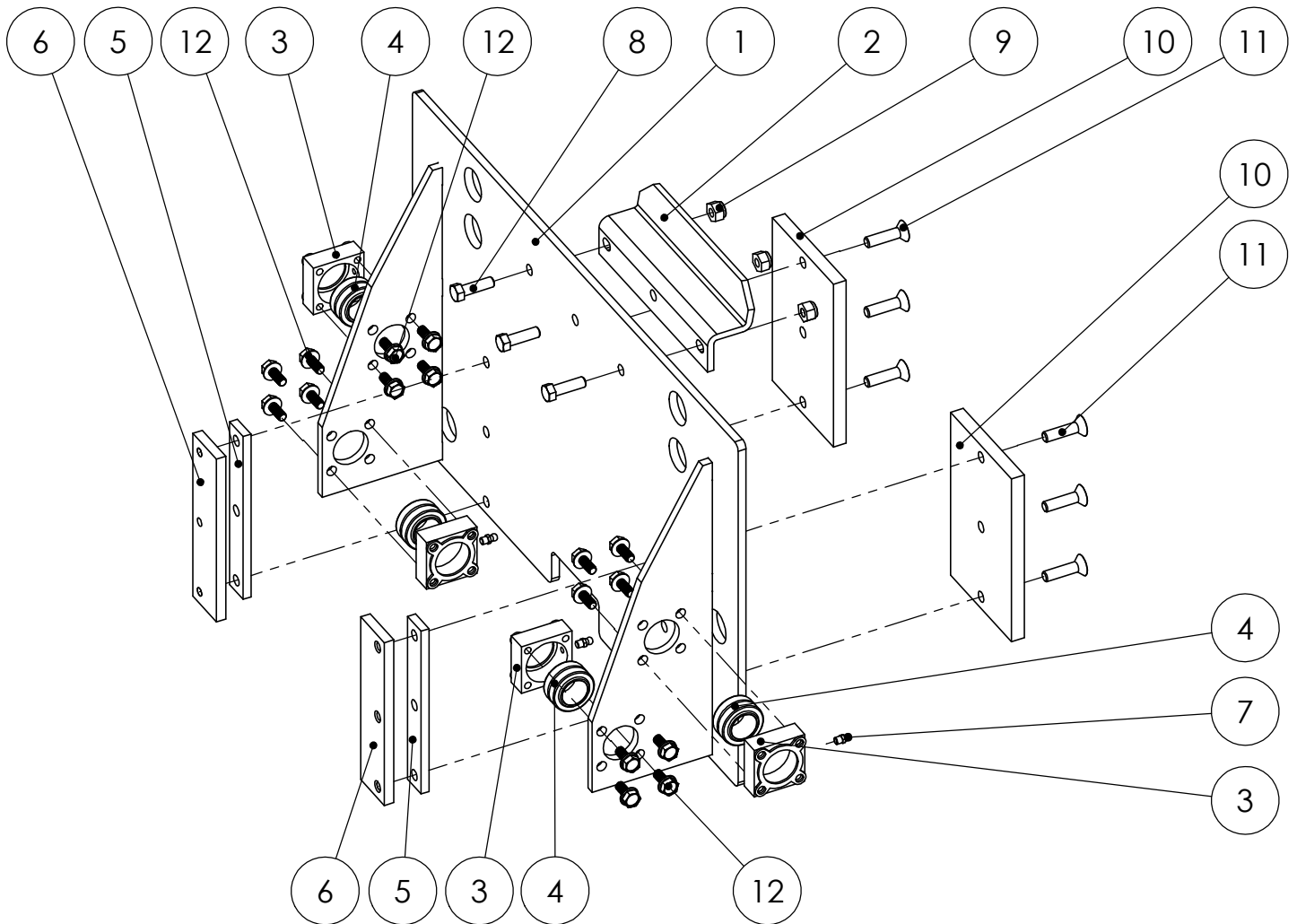
DO NOT SCALE DRAWING		MAINFRAME SUB ASSY PARTSX HB3	
UNLESS OTHERWISE SPECIFIED: DIMENSIONS ARE IN INCHES TOLERANCES: FRACTIONAL ±1/32 ANGULAR: MACH ±1° BEND ±1° TWO PLACE DECIMAL ±0.010 THREE PLACE DECIMAL ±0.005		DRAWING NO BWA 10700 PARTS	REV 00
SCALE: 1:6		WEIGHT: 111.581 # SHEET 1 OF 1	



BARKER PRODUCTS
1310 MILLER ROAD
GREENVILLE, SC
29607

DRAWN BY: R WYMAN
DATE: 9/1/2017
MATERIAL: NOTED

ITEM NO.	PART NUMBER	DESCRIPTION	EXPLODED/QTY.
1	BW10720	LIFT PLATE	1
2	BW00800	SADDLE	1
3	BW10770	BEARING HOUSING	4
4	BW99316	SPHERICAL BEARING GEZ 1	4
5	BW07330	SLIDE SPACER	2
6	BW07320	SLIDE CAP	2
7	BW01110	GREASE FITTING - 1/4-28 SHORT	4
8	XAA061610	3/8-16 X 1 1/4 HHCS	3
9	XDC061600	3/8-16 NYLOK NUT	3
10	BW10675	CAN SUPPORT	2
11	XAD061612	3/8-16 X 1 1/2 FSHCS	6
12	XAE051806	3/8-16 X 3/4 FLANGED HHCS	16



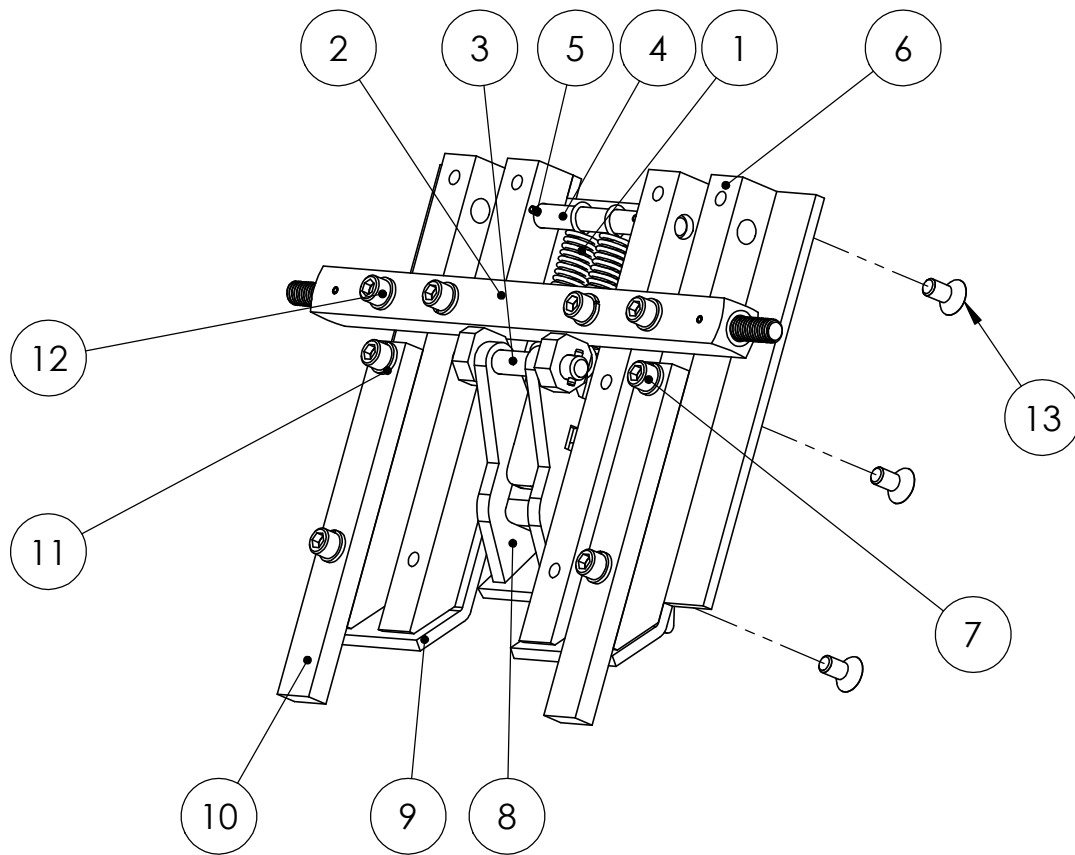
DO NOT SCALE DRAWING		LIFT PLATE SUB ASSY HB3	
UNLESS OTHERWISE SPECIFIED: DIMENSIONS ARE IN INCHES TOLERANCES: FRACTIONAL ±1/32 ANGULAR: MACH ±1° BEND ±1° TWO PLACE DECIMAL ±0.010 THREE PLACE DECIMAL ±0.005		DRAWING NO BWA10720	REV 00
SCALE: 1:6		WEIGHT: 45.952 #	SHEET 1 OF 1



BARKER PRODUCTS
1310 MILLER ROAD
GREENVILLE, SC
29607

DRAWN BY: R WYMAN
DATE: 9/1/2017
MATERIAL: NOTED

ITEM NO.	PART NUMBER	DESCRIPTION	EXPLODE VIEW/QTY.
1	BW10120	HOOK SPRING	2
2	BW10060	SLIDE DRIVE	1
3	BW10100	HOOK SHAFT	1
4	BW10110	SPRING SHAFT	1
5	BW02125	5/32 X 3/4 SPRING PIN	4
6	BW10240	SLIDE SUPPORT	4
7	XAB061608	3/8-16 X 1 SHCS	1
8	BW10680	HOOK	1
9	BW10230	SLIDE PLATE	1
10	BW10690	SLIDE EXTENSION	2
11	XEB061000	3/8" LOCK WASHER	8
12	XAB061612	3/8-16 X 1 1/2 SHCS	4
13	XAD061606	3/8-16 X 3/4 FHSCS	12



DO NOT SCALE DRAWING		SLIDE PARTS	
UNLESS OTHERWISE SPECIFIED: DIMENSIONS ARE IN INCHES TOLERANCES: FRACTIONAL: ±1/32 ANGULAR: MACH ±1° BEND ±1° TWO PLACE DECIMAL ±0.010 THREE PLACE DECIMAL ±0.005		15K UNITS	
DRAWING NO BW10000 SLIDE PARTS		REV 00	
SCALE: 1:4		WEIGHT: 21.739 # SHEET 1 OF 1	



BARKER PRODUCTS
1310 MILLER ROAD
GREENVILLE, SC
29607

DRAWN BY: R WYMAN
DATE: 10/28/2019
MATERIAL: NOTED