



BP Lifts
By Barker Products
1310 Miller Road, Greenville, SC 29607



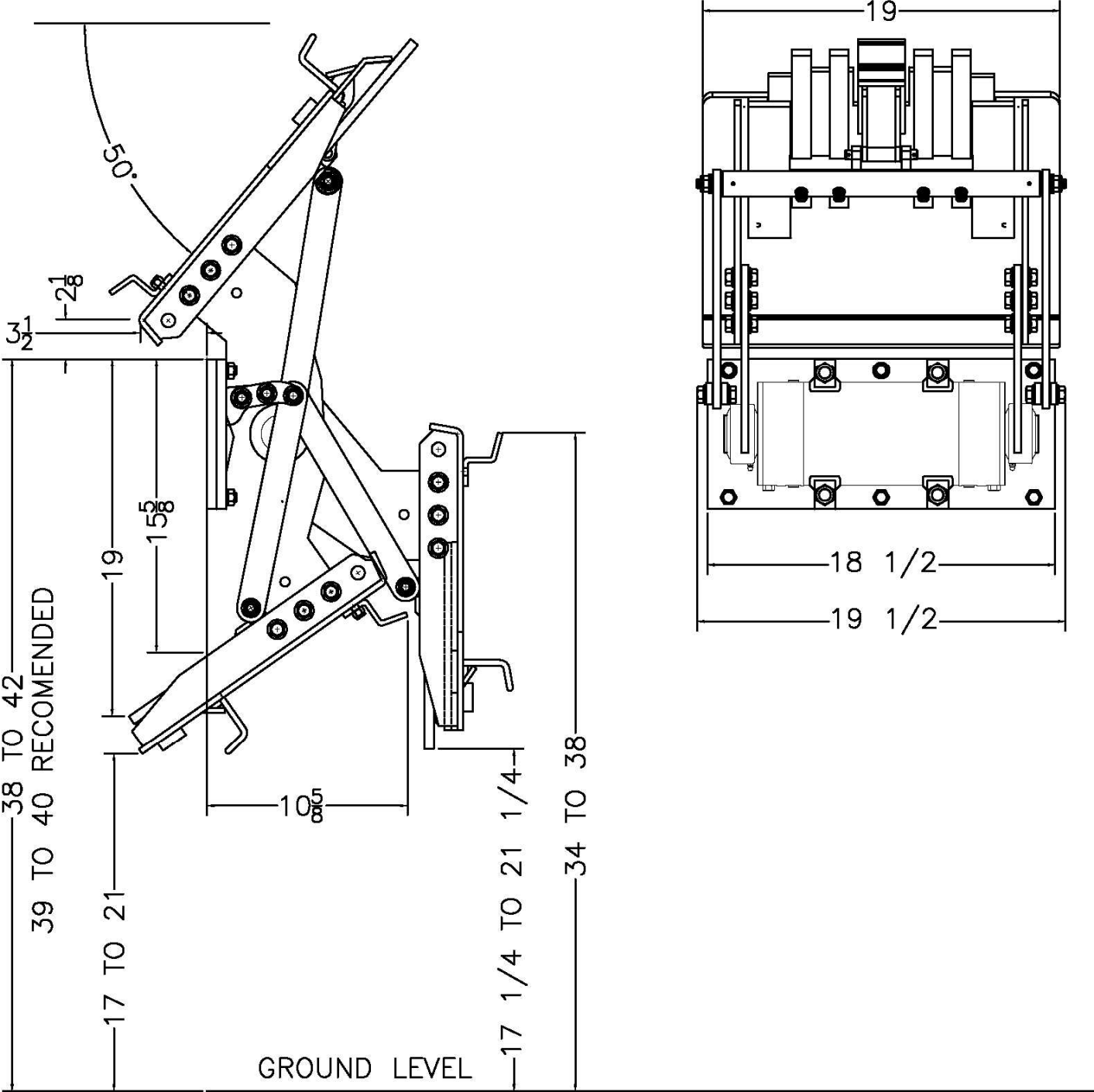
- Dependable Smooth Acting 25K Helical Rotary Actuator
- Splined Shafts To Eliminate Arm Movement And Wear
- 50 Degree Dump Angle
- No Grease Points
- EZ Bolt On Kit Standard
- Meets ANSI Z245 Type B Specs
- Lifts All Standard American 2 Bar Carts
- Liftplate Arc Motion Makes Cart Attachment Fast And Easy On Unlevel Highway Conditions
- Double Wide Mounting Plate Available. Increases Hopper Height To Decrease Packing Cycles
- 4 Models Available
- 38 to 48 Inch Mounting Height
- 17 3/4 to 21 3/4 Inch Ground Clearance
- Lifts 300 pounds at 1400 PSI
- Use on Rear Loaders
- All Components Manufactured and Assembled In The US

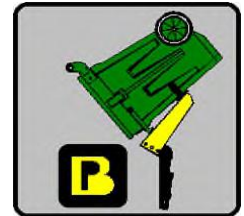
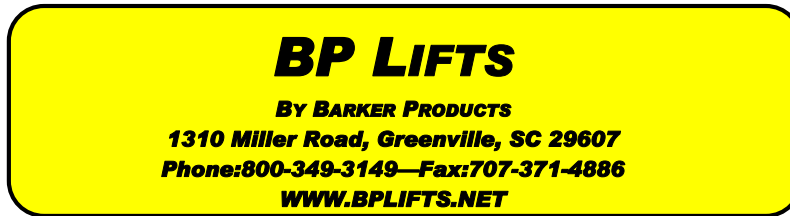


Bp Lifts
By Barker Products
1310 Miller Road, Greenville, SC 29607



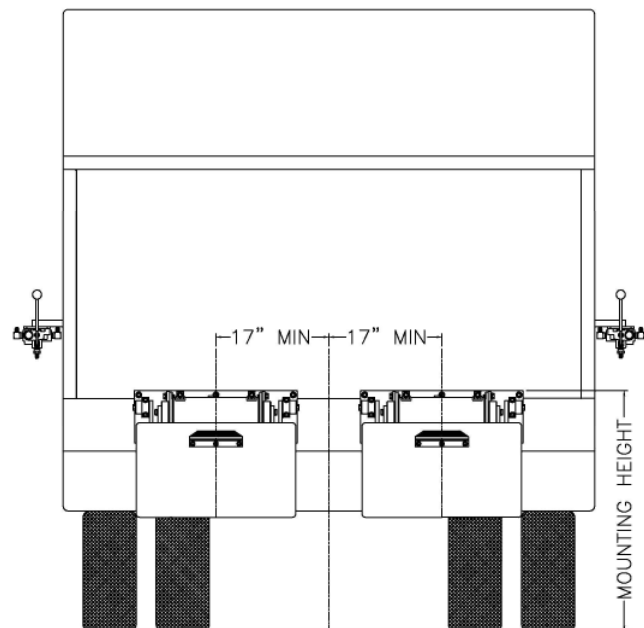
BU18139 HB25N-5539





Lift Unit Installation

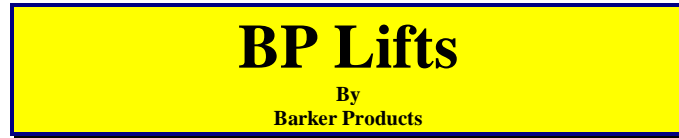
1. Truck must be empty, clean and parked on a level surface before installation is started.
2. Remove all bumpers and running boards that will interfere with the location of the lift units. Relocate lower mounted tail lights as needed.
3. Measure and mark the centerline of the truck hopper. The centerline of the unit or units should be a minimum of 17" from the hopper centerline.
4. Hand valves should be mounted on the side of the hopper at the most convenient height for the operator and clear of the packer controls.
5. The top of the unit mounting plate should be tack welded in place at the height recommended on the envelope dimension sheet of the unit.
CAUTION: SEE NOTE BELOW PICTURE
6. All dimensions should be approved by the customer before final welding.
7. If the mounting plate extends more than 2" above the hopper, a brace should be added.



Mounting heights and locations are recommendations only. It is the responsibility of the installer to insure that the customer is satisfied with the height. Barker Products recommends that after the units are tacked in place, try the units with the can or cans the customer uses. The customer should approve your mount before final welding.



1310 Miller Road
Greenville, SC 29607



Lift Unit Specialist



Phone: 864-288-7384
Fax: 864-297-1292

HB25 LIFT UNIT WARRANTY

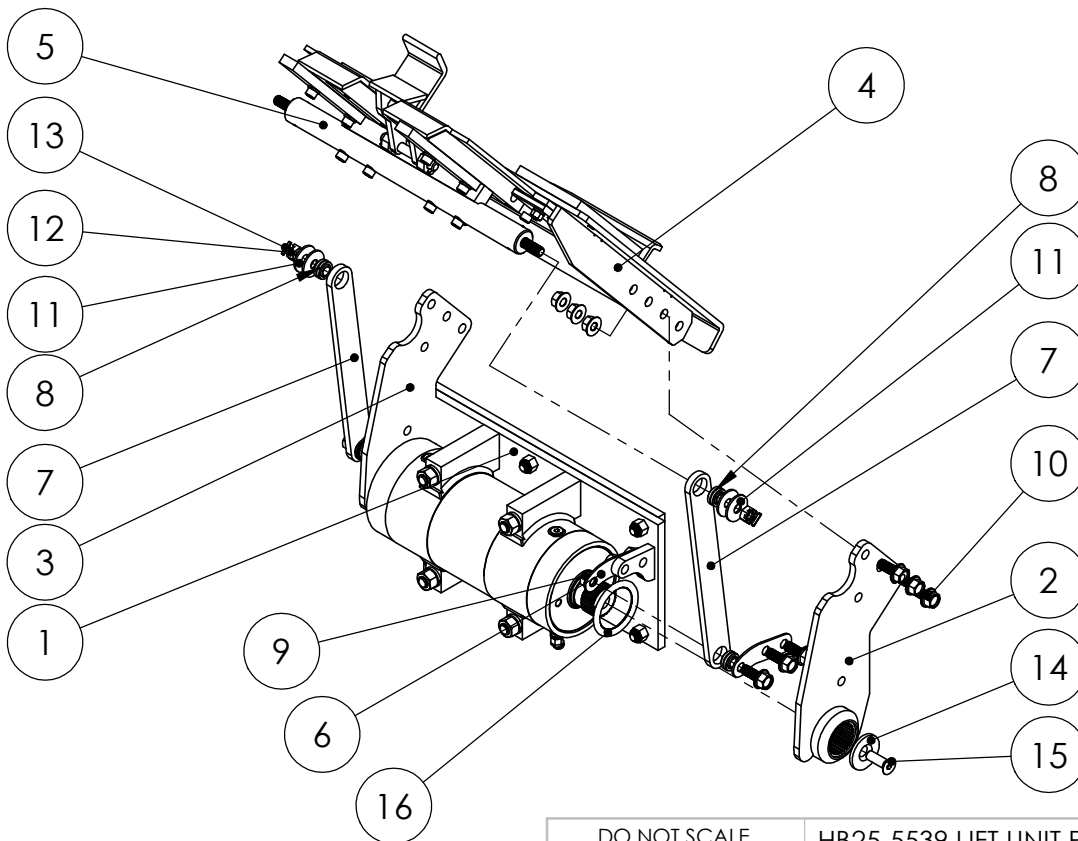
Barker Products warranties each new dump unit to be free of defects in material and workmanship under normal use and service for a period of 1 year or 2000 hours of operation, whichever comes first, from the date of delivery.

This warranty excludes any obligations by BARKER PRODUCTS for the cost of down time. BARKER PRODUCTS will not warranty any dump unit which has been subject to misuse, neglect, alteration, or damaged by an accident.

On any work not performed by BARKER PRODUCTS or it's representative, the customer will be responsible for freight charges on all parts shipped under warranty. Parts will be invoiced at time of shipment. Defective parts must be returned to BARKER PRODUCTS within 30 days. If the part is determined to be defective the customer will be credited for the original invoice.

Customer warranty labor charges must be approved by BARKER PRODUCTS in advance. If not contacted for approval, BARKER PRODUCTS will not be liable for the warranty labor charge.

ITEM NO.	PART NUMBER	DESCRIPTION	EXPLODED PARTS/QTY.
1	BWA18010	MAINFRAME SUB ASSY	1
2	BW18140	RIGHT LIFT ARM	1
3	BW18130	LEFT LIFT ARM	1
4	BWA18090	LIFT PLATE SUB ASSY	1
5	BW19000	SLIDE SUB ASSY	1
6	BW18050	SL PIVOT CAP	4
7	BW18060	SLIDE LINK	2
8	BW99108	1/2" SPHERICAL BEARING	4
9	XDH081300	1/2-13 FLANGED NUT	12
10	XAE081310	1/2-13 X 1 1/4 FLANGED HHCS	12
11	BW02210	1/2" BELLEVILLE SPRING WASHER	4
12	XDE081300	1/2-13 SLOTTED NUT	2
13	BW02125	5/32 X 3/4 SPRING PIN	2
14	BW18005	SPLINE CAP HB25	2
15	XAD081312	1/2-13 X 1 1/2 FHSCS	2
16	BW18002	O-RING GREASE SEAL	1



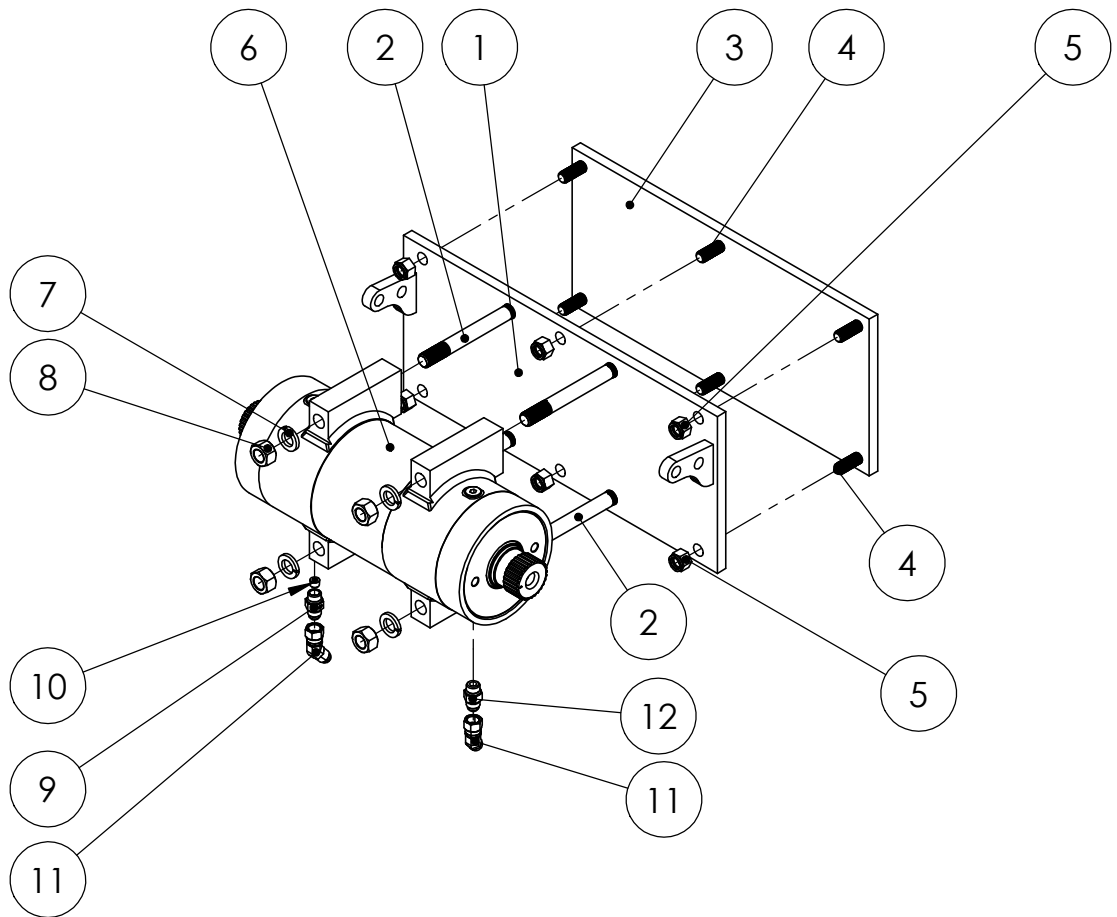
DO NOT SCALE DRAWING		HB25-5539 LIFT UNIT PARTS	
UNLESS OTHERWISE SPECIFIED: DIMENSIONS ARE IN INCHES TOLERANCES: FRACTIONAL ±1/32 ANGULAR: MACH ±1° BEND ±1° TWO PLACE DECIMAL ±0.010 THREE PLACE DECIMAL ±0.005		DRAWING NO BU18139 PARTS	REV 00
MATERIAL: NOTED		SCALE: 1:10	WEIGHT: 130.429 # SHEET 1 OF 1



BARKER PRODUCTS
1310 MILLER ROAD
GREENVILLE, SC
29607

DRAWN BY: R WYMAN
DATE: 7/15/2017
MATERIAL: NOTED

ITEM NO.	PART NUMBER	DESCRIPTION	EXPLODED PARTS/QTY.
1	BW18010	MAINFRAME	1
2	BW18020	ACTUATOR MOUNT STUD	4
3	BW17525	MOUNT PLATE - N	1
4	BW07140	PLATE STUD	6
5	XDC082000	1/2-20 NYLOK NUT	6
6	BW18000	ACTUATOR	1
7	XEB101000	5/8 LOCKWASHER	4
8	XDA101800	5/8-18 HEX NUT	4
9	BV00064	6T X 6S ORIFICE FITTING	1
10	BV00025	116 X 1/8 NPT ORIFICE PLUG	1
11	BR04842	6502-06-06 MJ-FJS 45 DEG	2
12	BR03830	6400-06-06 MJ-FJS SWIVEL	1



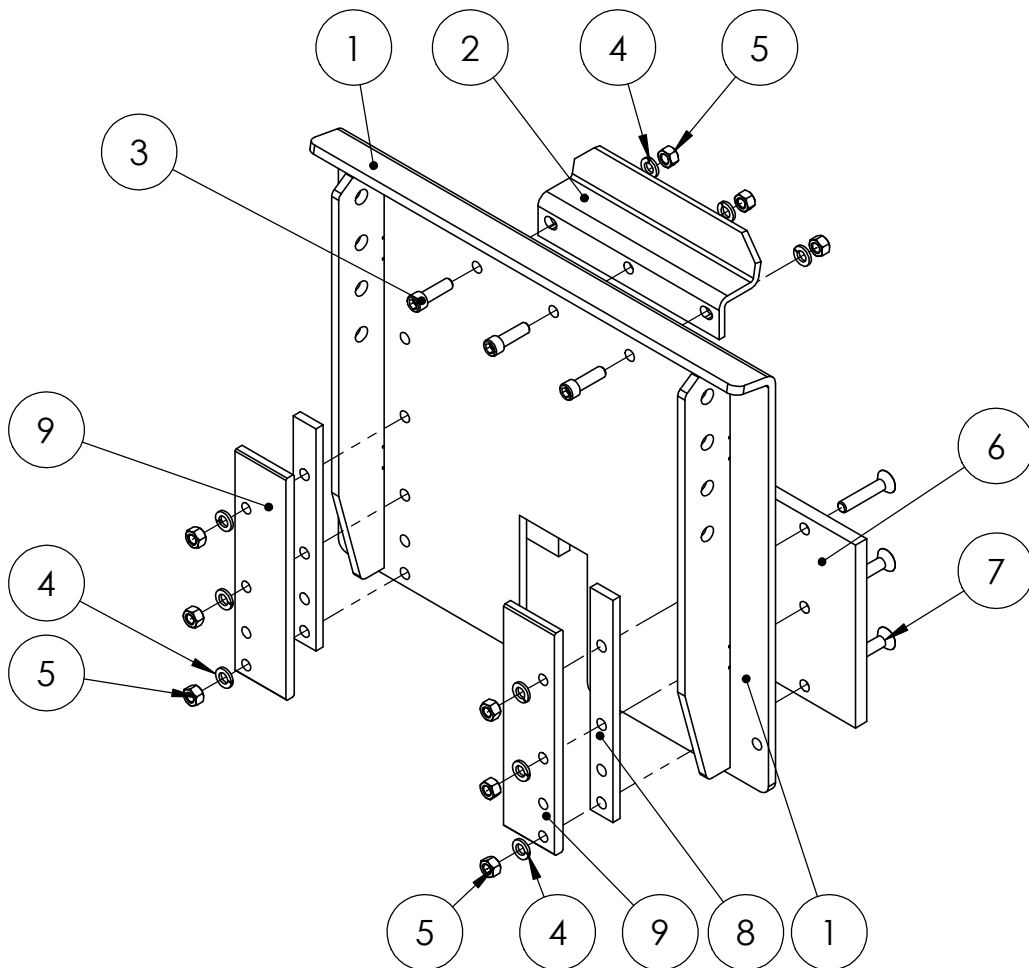
DO NOT SCALE DRAWING		MAINFRAME SUB ASSY HB25-80 & 55	
UNLESS OTHERWISE SPECIFIED: DIMENSIONS ARE IN INCHES TOLERANCES: FRACTIONAL ±1/32 ANGULAR: MACH ±1° BEND ±1° TWO PLACE DECIMAL ±0.010 THREE PLACE DECIMAL ±0.005		DRAWING NO BWA18010	REV 00
SCALE: 1:8		WEIGHT: 102.140 # SHEET 1 OF 1	



BARKER PRODUCTS
1310 MILLER ROAD
GREENVILLE, SC
29607

DRAWN BY: R WYMAN
DATE: 7/12/2017
MATERIAL: NOTED

ITEM NO.	PART NUMBER	DESCRIPTION	EXPLODED PARTS/QTY.
1	BW18090	LIFT PLATE	1
2	BW00800	SADDLE	1
3	XAB061610	3/8-16 X 1 1/4 SHCS	3
4	XEB061000	3/8 LOCKWASHER	9
5	XDA061600	3/8-16 HEX NUT	9
6	BW10675	CAN SUPPORT	2
7	XAD061616	3/8-16 X 2 FSHCS	6
8	BW19110	SLIDE SPACER	2
9	BW19100	SLIDE CAP	2



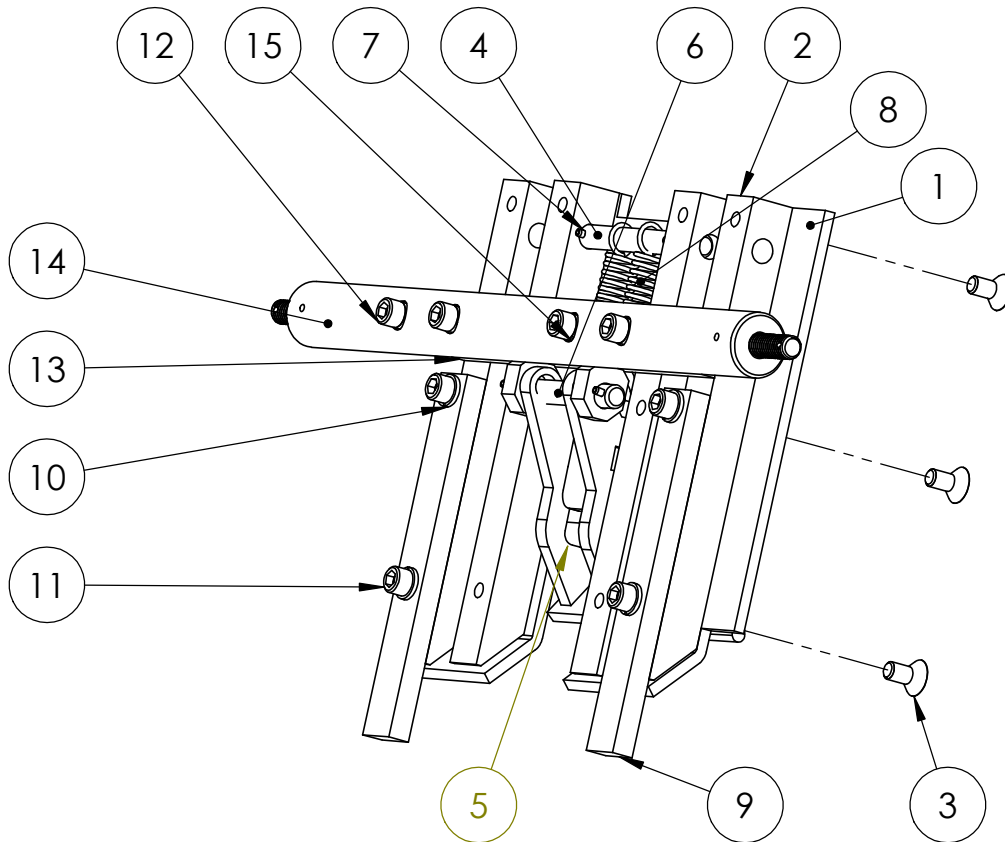
DO NOT SCALE DRAWING		LIFT PLATE SUB ASSY HB25	
UNLESS OTHERWISE SPECIFIED: DIMENSIONS ARE IN INCHES TOLERANCES: FRACTIONAL ±1/32 ANGULAR: MACH ±1° BEND ±1° TWO PLACE DECIMAL ±0.010 THREE PLACE DECIMAL ±0.005		DRAWING NO BWA18090	REV 00
SCALE: 1:6	WEIGHT: 41.513 #	SHEET 1 OF 1	



BARKER PRODUCTS
1310 MILLER ROAD
GREENVILLE, SC
29607

DRAWN BY: R WYMAN
DATE: 7/12/2017
MATERIAL: NOTED

ITEM NO.	PART NUMBER	DESCRIPTION	EXPLODE VIEW/QTY.
1	BW10230	SLIDE PLATE	1
2	BW10240	SLIDE SUPPORT	4
3	XAD061606	3/8-16 X 3/4 FHSCS	12
4	BW10110	SPRING SHAFT	1
5	BW10680	HOOK	1
6	BW10100	HOOK SHAFT	1
7	BW02125	5/32 X 3/4 SPRING PIN	4
8	BW10120	HOOK SPRING	2
9	BW10690	SLIDE EXTENSION	2
10	XEB061000	3/8" LOCK WASHER	4
11	XAB061608	3/8-16 X 1 SHCS	4
12	XAB061624	3/8-16 X 3 SHCS	4
13	BW18080	HOOK MOUNT	1
14	BW18075	SLIDE DRIVE	1
15	XEC0606080	3/8 HC LOCKWASHER	4



DO NOT SCALE DRAWING		SLIDE PARTS 25K UNITS	
UNLESS OTHERWISE SPECIFIED: DIMENSIONS ARE IN INCHES TOLERANCES: FRACTIONAL ±1/32 ANGULAR: MACH ±1° BEND ±1° TWO PLACE DECIMAL ±0.010 THREE PLACE DECIMAL ±0.005		DRAWING NO BW19000	REV 00
SCALE: 1:4		WEIGHT: 30.667 #	SHEET 1 OF 1



BARKER PRODUCTS
1310 MILLER ROAD
GREENVILLE, SC
29607

DRAWN BY: R WYMAN
DATE: 2/20/2018
MATERIAL: NOTED