



**BP Lifts**  
By Barker Products  
1310 Miller Road, Greenville, SC 29607

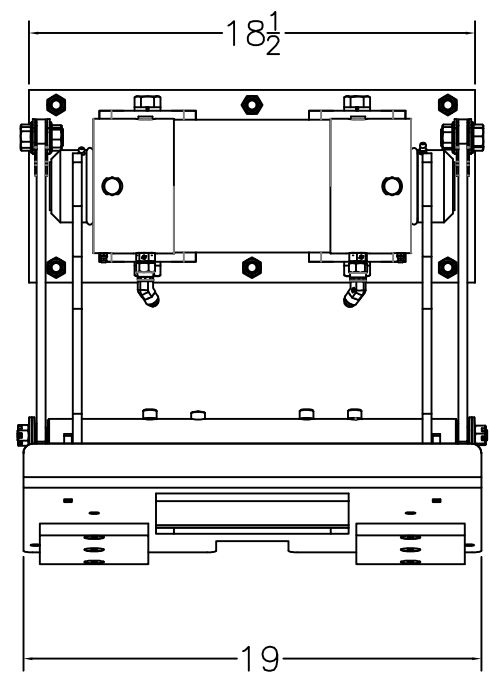
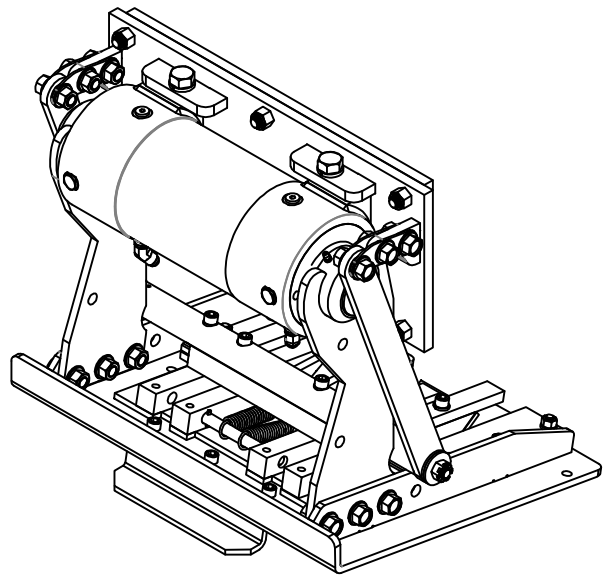
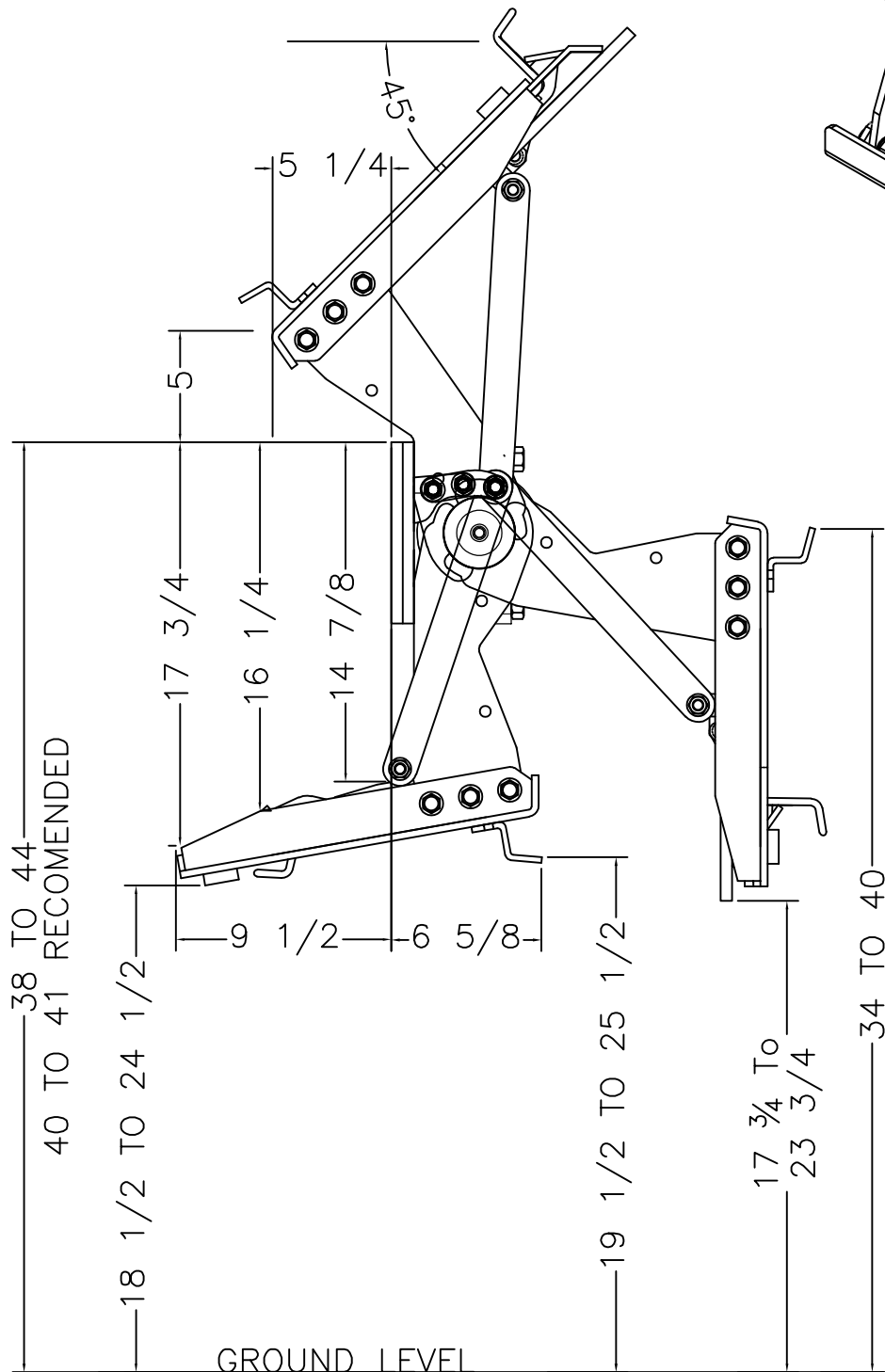


# ***Model HB27-8041 Lift***

Part # BU18341



- Dependable Smooth Acting 25K Helical Rotary Actuator
- Splined Shafts To Eliminate Arm Movement And Wear
- 45 Degree Dump Angle
- No Grease Points
- EZ Bolt On Kit Standard
- Meets ANSI Z245 Type B Specs
- Lifts All Standard American 2 Bar Carts
- Liftplate Arc Motion Makes Cart Attachment Fast And Easy On Unlevel Highway Conditions
- Double Wide Mounting Plate Available. Increases Hopper Height To Decrease Packing Cycles
- 38 to 44 Inch Mounting Height
- 18 1/2 to 24 1/2 Inch Ground Clearance
- Use on Rear Loaders

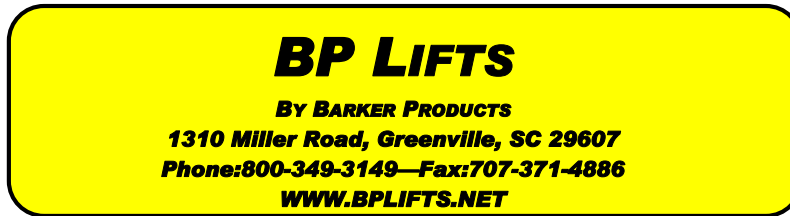


BARKER PRODUCTS  
1310 MILLER ROAD  
GREENVILLE, SC  
29607

DRAWN BY: R WYMAN  
DATE: 10/11/2018  
MATERIAL: NOTED

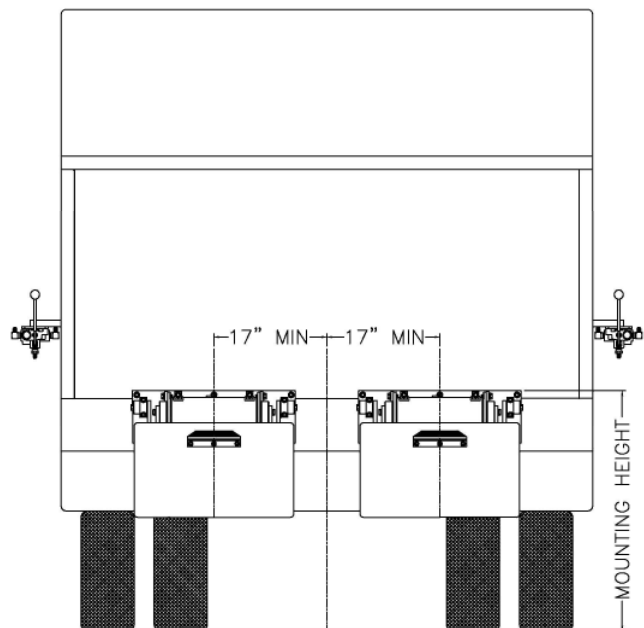
DO NOT SCALE  
DRAWING  
UNLESS OTHERWISE SPECIFIED  
DIMENSIONS ARE IN INCHES  
TOLERANCES:  
FRACTIONAL  $\pm 1/32$   
ANGULAR: MACH  $\pm 1^\circ$  BEND  $\pm 1^\circ$   
TWO PLACE DECIMAL  $\pm 0.010$   
THREE PLACE DECIMAL  $\pm 0.005$

HB27-8041 LIFT  
T30-27 ACTUATOR  
DRAWING NO  
BU18341 ENVELOPE  
SCALE: 1:8  
WEIGHT: 138.803 #  
REV  
00  
SHEET 1 OF 1



# Lift Unit Installation

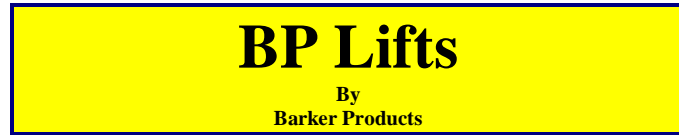
1. Truck must be empty, clean and parked on a level surface before installation is started.
2. Remove all bumpers and running boards that will interfere with the location of the lift units. Relocate lower mounted tail lights as needed.
3. Measure and mark the centerline of the truck hopper. The centerline of the unit or units should be a minimum of 17" from the hopper centerline.
4. Hand valves should be mounted on the side of the hopper at the most convenient height for the operator and clear of the packer controls.
5. The top of the unit mounting plate should be tack welded in place at the height recommended on the envelope dimension sheet of the unit.  
**CAUTION: SEE NOTE BELOW PICTURE**
6. All dimensions should be approved by the customer before final welding.
7. If the mounting plate extends more than 2" above the hopper, a brace should be added.



Mounting heights and locations are recommendations only. It is the responsibility of the installer to insure that the customer is satisfied with the height. Barker Products recommends that after the units are tacked in place, try the units with the can or cans the customer uses. The customer should approve your mount before final welding.



1310 Miller Road  
Greenville, SC 29607



*Lift Unit Specialist*



Phone: 864-288-7384  
Fax: 864-297-1292

## **HB25-80 LIFT UNIT WARRANTY**

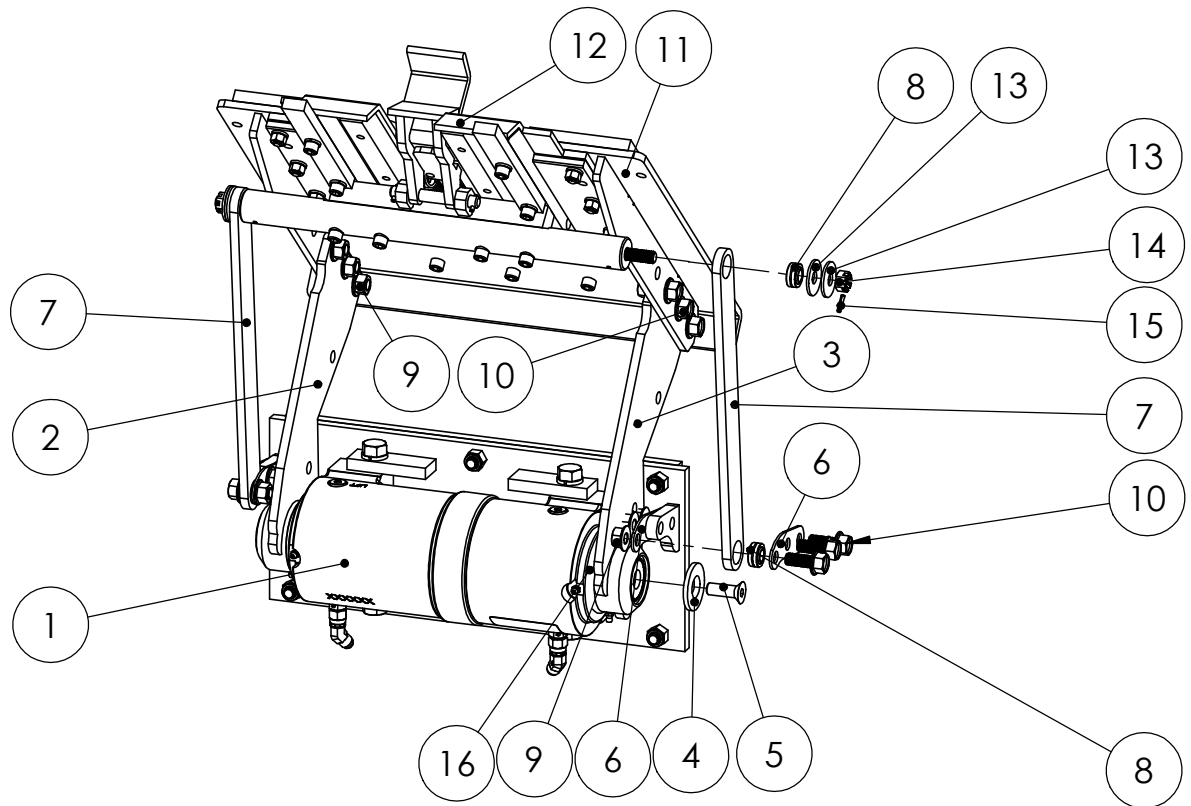
**Barker Products warranties each new dump unit to be free of defects in material and workmanship under normal use and service for a period of 1 year or 2000 hours of operation, whichever comes first, from the date of delivery.**

**This warranty excludes any obligations by BARKER PRODUCTS for the cost of down time. BARKER PRODUCTS will not warranty any dump unit which has been subject to misuse, neglect, alteration, or damaged by an accident.**

**On any work not performed by BARKER PRODUCTS or it's representative, the customer will be responsible for freight charges on all parts shipped under warranty. Parts will be invoiced at time of shipment. Defective parts must be returned to BARKER PRODUCTS within 30 days. If the part is determined to be defective the customer will be credited for the original invoice.**

**Customer warranty labor charges must be approved by BARKER PRODUCTS in advance. If not contacted for approval, BARKER PRODUCTS will not be liable for the warranty labor charge.**

ITEM NO.	PART NUMBER	DESCRIPTION	EXPLODED PARTS/QTY.
1	BWA18015	MAINFRAME SUB ASSY	1
2	BW18030	LEFT LIFT ARM	1
3	BW18040	RIGHT LIFT ARM	1
4	BW18005	SPLINE CAP HB25	2
5	XAD081312	1/2-13 X 1 1/2 SHCS	2
6	BW18055	SLIDE LINK PIVOT CAP	4
7	BW18065	SLIDE LINK	2
8	BW99108	1/2" SPHERICAL BEARING	4
9	XDH081300	1/2-13 FLANGED NUT	12
10	XAE081310	1/2-13 X 1 1/4 FLANGED HHCS	12
11	BWA18090	LIFT PLATE SUB ASSY	1
12	BW19000	SLIDE SUB ASSY	1
13	BW02210	1/2" BELLEVILLE SPRING WASHER	4
14	XDE081300	1/2-13 SLOTTED NUT	2
15	BW02125	5/32 X 3/4 SPRING PIN	2
16	BW18002	O-RING GREASE SEAL	2



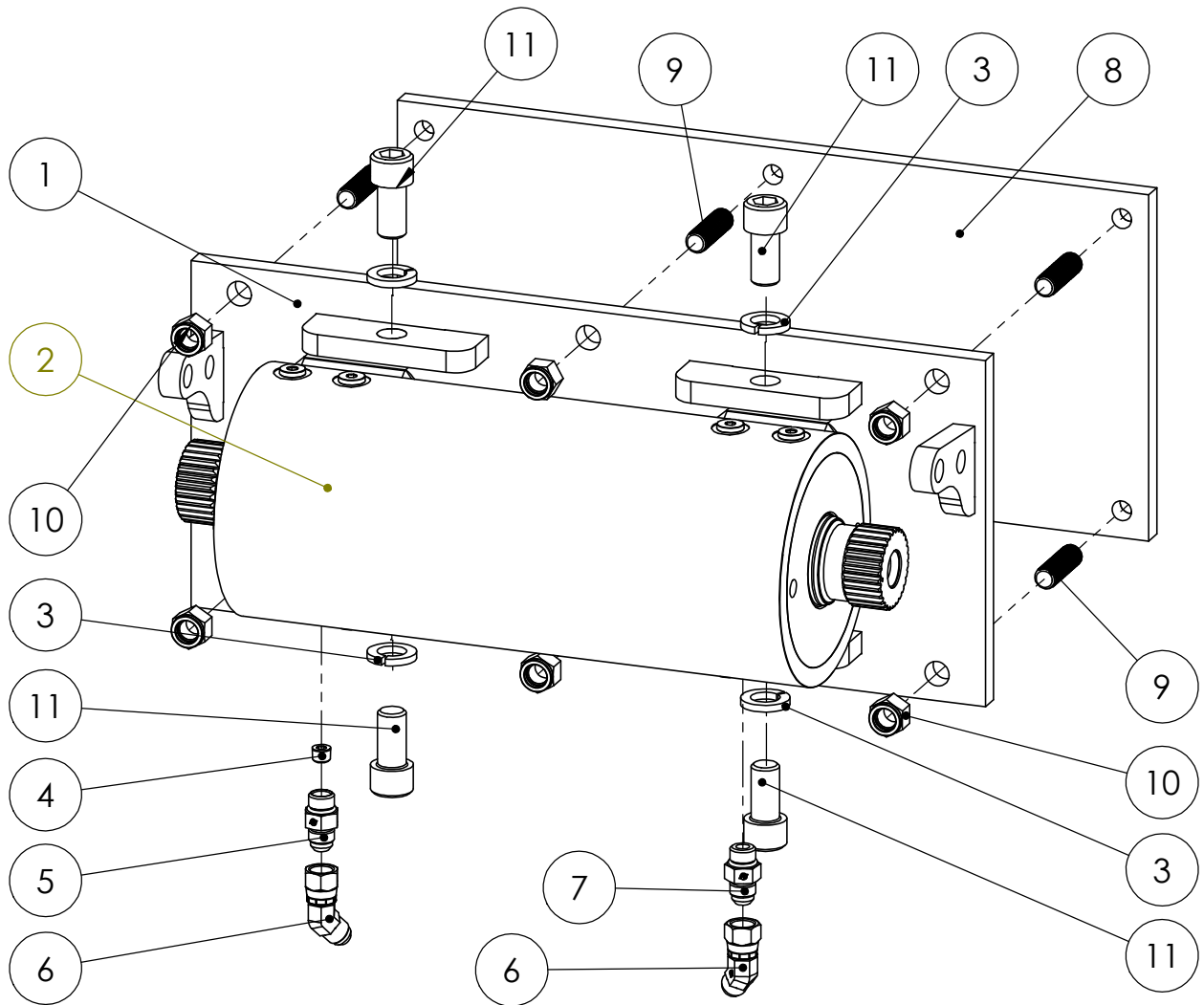
DO NOT SCALE DRAWING UNLESS OTHERWISE SPECIFIED: DIMENSIONS ARE IN INCHES TOLERANCES: FRACTIONAL ±1/32 ANGULAR: MACH ±1° BEND ±1° TWO PLACE DECIMAL ±0.010 THREE PLACE DECIMAL ±0.005	HB27-8041 LIFT PARTS T30-27 ACTUATOR	
	DRAWING NO BU18341 PARTS	REV 00
	SCALE: 1:8    WEIGHT: 185.753 #    SHEET 1 OF 1	



**BARKER PRODUCTS**  
 1310 MILLER ROAD  
 GREENVILLE, SC  
 29607

DRAWN BY: R WYMAN  
 DATE: 12/12/2017  
 MATERIAL: NOTED

ITEM NO.	PART NUMBER	DESCRIPTION	EXPLODED PARTS/QTY.
1	BW18015	MAINFRAME	1
2	BW18300	ACTUATOR	1
3	XEB101000	5/8 LOCKWASHER	5
4	BV00025	116 X 1/8 NPT ORIFICE PLUG	1
5	BV00064	6T X 6S ORIFICE FITTING	1
6	BR04842	6502-06-06 MJ-FJS 45 DEG	2
7	BR03830	6400-06-06 M TUBE O-RING	1
8	BW17525	MOUNT PLATE - N	1
9	BW07140	PLATE STUD	6
10	XDC082000	1/2-20 NYLOK NUT	6
11	XAB101110	5/8-11 X 1 1/4 SHCS	4



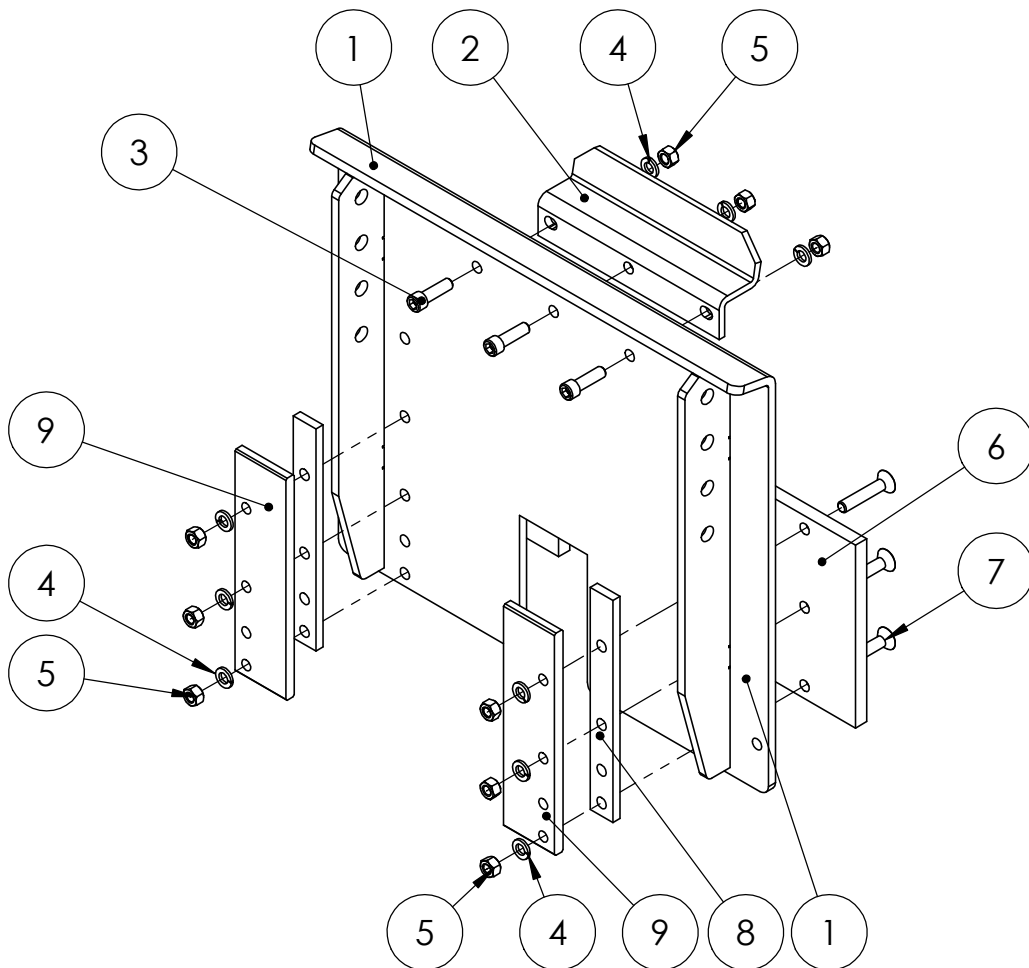
DO NOT SCALE DRAWING		MAINFRAME SUB ASSY T30-27 HB2580 & 55	
UNLESS OTHERWISE SPECIFIED: DIMENSIONS ARE IN INCHES TOLERANCES: FRACTIONAL ±1/32 ANGULAR: MACH ±1° BEND ±1° TWO PLACE DECIMAL ±0.010 THREE PLACE DECIMAL ±0.005		DRAWING NO BWA18015 PARTS	REV 00
SCALE: 1:4		WEIGHT: 122.575 # SHEET 1 OF 1	



**BARKER PRODUCTS**  
1310 MILLER ROAD  
GREENVILLE, SC  
29607

DRAWN BY: R WYMAN  
DATE: 3/18/2020  
MATERIAL: NOTED

ITEM NO.	PART NUMBER	DESCRIPTION	EXPLODED PARTS/QTY.
1	BW18090	LIFT PLATE	1
2	BW00800	SADDLE	1
3	XAB061610	3/8-16 X 1 1/4 SHCS	3
4	XEB061000	3/8 LOCKWASHER	9
5	XDA061600	3/8-16 HEX NUT	9
6	BW10675	CAN SUPPORT	2
7	XAD061616	3/8-16 X 2 FSHCS	6
8	BW19110	SLIDE SPACER	2
9	BW19100	SLIDE CAP	2



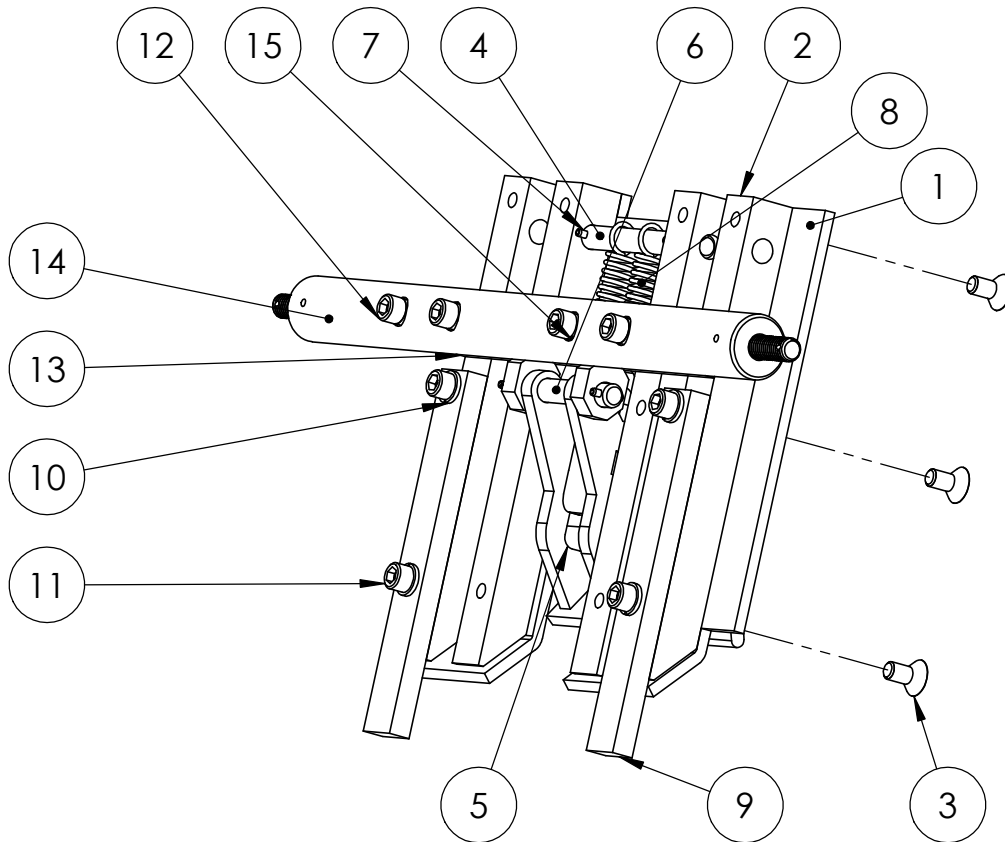
DO NOT SCALE DRAWING		LIFT PLATE SUB ASSY HB25	
UNLESS OTHERWISE SPECIFIED: DIMENSIONS ARE IN INCHES TOLERANCES: FRACTIONAL ±1/32 ANGULAR: MACH ±1° BEND ±1° TWO PLACE DECIMAL ±0.010 THREE PLACE DECIMAL ±0.005		DRAWING NO BWA18090	REV 00
SCALE: 1:6		WEIGHT: 41.513 #	SHEET 1 OF 1



**BARKER PRODUCTS**  
1310 MILLER ROAD  
GREENVILLE, SC  
29607

DRAWN BY: R WYMAN  
DATE: 7/12/2017  
MATERIAL: NOTED

ITEM NO.	PART NUMBER	DESCRIPTION	EXPLODE VIEW/QTY.
1	BW10230	SLIDE PLATE	1
2	BW10240	SLIDE SUPPORT	4
3	XAD061606	3/8-16 X 3/4 FHSCS	12
4	BW10110	SPRING SHAFT	1
5	BW10680	HOOK	1
6	BW10100	HOOK SHAFT	1
7	BW02125	5/32 X 3/4 SPRING PIN	4
8	BW10120	HOOK SPRING	2
9	BW10690	SLIDE EXTENSION	2
10	XEB061000	3/8 LOCKWASHER	4
11	XAB061608	3/8-16 X 1 SHCS	4
12	XAB061620	3/8-16 X 2 1/2 SHCS	4
13	BW18080	HOOK MOUNT	1
14	BW18075	SLIDE DRIVE	1
15	XEC0606080	3/8 HC LOCKWASHER	4



DO NOT SCALE DRAWING		SLIDE PARTS 25K UNITS	
UNLESS OTHERWISE SPECIFIED: DIMENSIONS ARE IN INCHES TOLERANCES: FRACTIONAL ±1/32 ANGULAR: MACH ±1° BEND ±1° TWO PLACE DECIMAL ±0.010 THREE PLACE DECIMAL ±0.005		DRAWING NO BW19000	REV 00
SCALE: 1:4		WEIGHT: 30.667 #	SHEET 1 OF 1



**BARKER PRODUCTS**  
1310 MILLER ROAD  
GREENVILLE, SC  
29607

DRAWN BY: R WYMAN  
DATE: 7/12/2017  
MATERIAL: NOTED