



BP LIFTS
By Barker Products
1310 Miller Road, Greenville, SC 29607
Phone:800-349-3149—Fax:864-297-1292



- Dependable Smooth Acting 27K Helical Rotary Actuator
- Splined Shafts To Eliminate Arm Movement And Wear
- 50 Degree Dump Angle
- No Grease Points
- EZ Bolt On Kit Standard
- Meets ANSI Z245 Type B Specs
- Lifts All Standard American 2 Bar Carts
- Liftplate Arc Motion Makes Cart Attachment Fast And Easy On Unlevel Highway Conditions
- Double Wide Mounting Plate Available. Increases Hopper Height To Decrease Packing Cycles
- 4 Models Available
- 38 to 48 Inch Mounting Height
- 17 3/4 to 21 3/4 Inch Ground Clearance
- Lifts 300 pounds at 1400 PSI
- Use on Rear Loaders



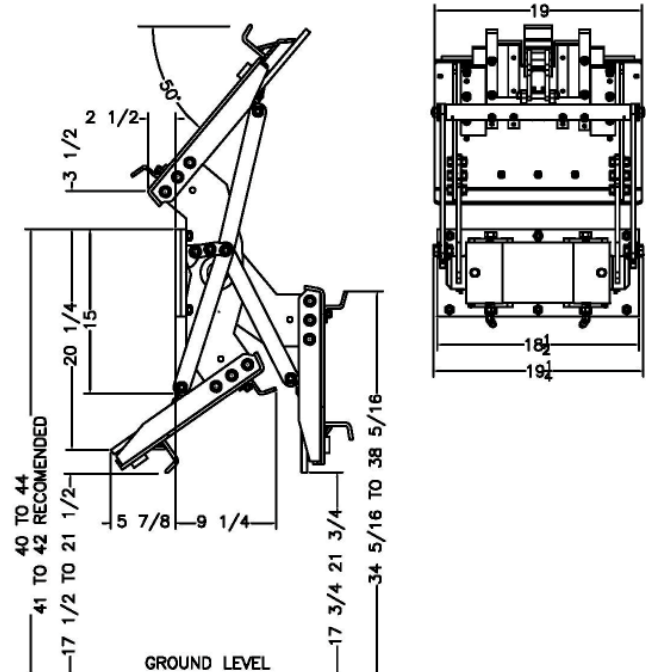
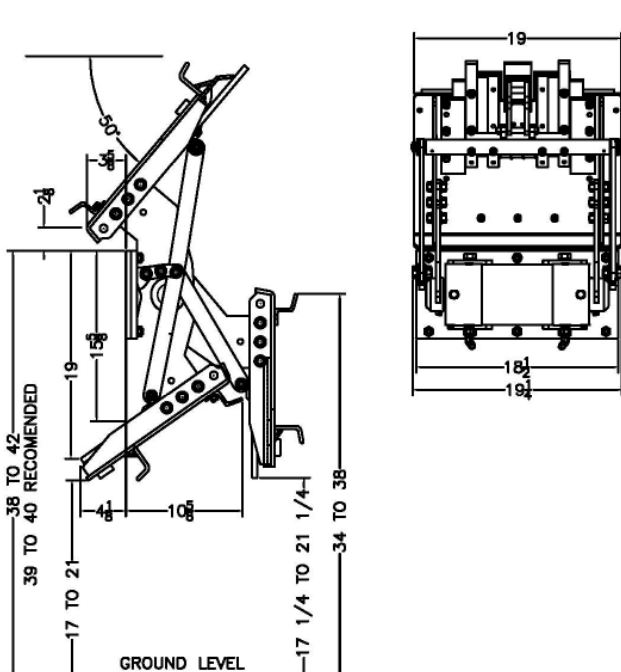
Bp Lifts
By Barker Products
1310 Miller Road, Greenville, SC 29607



HB27N-55XX

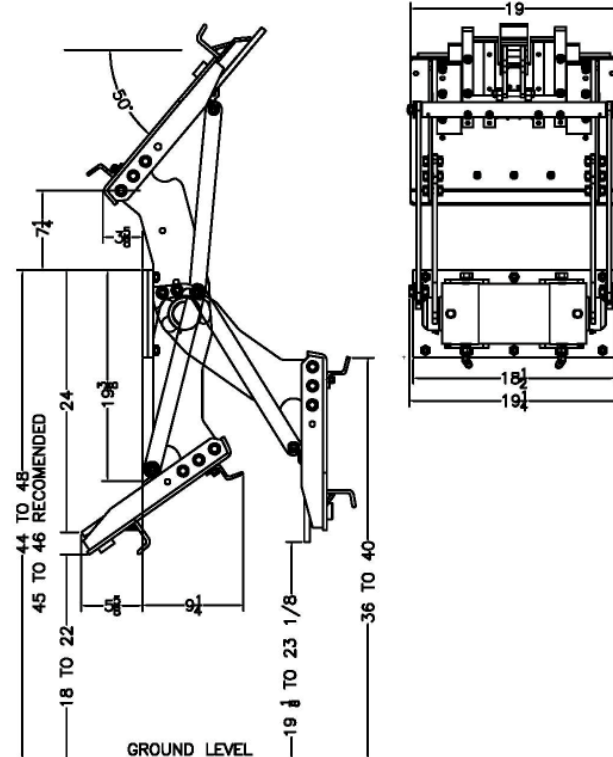
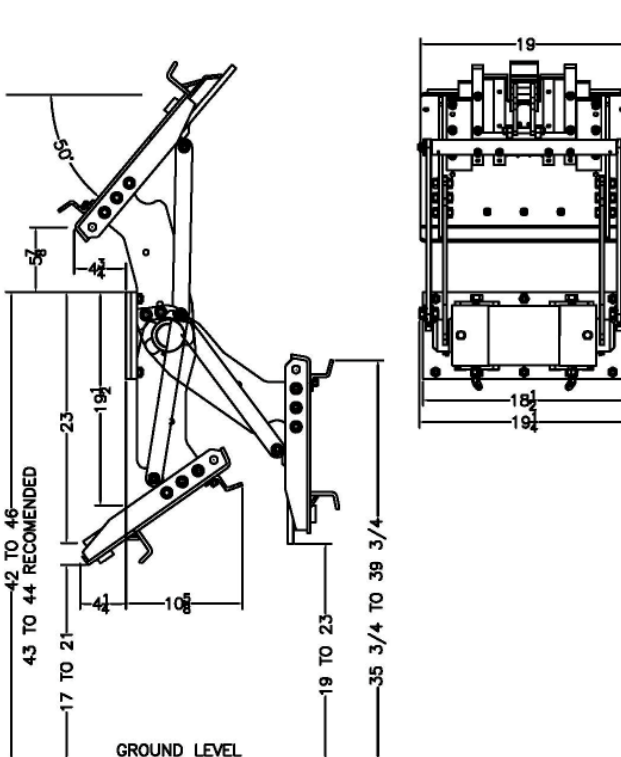
BU18439 HB27N-5539

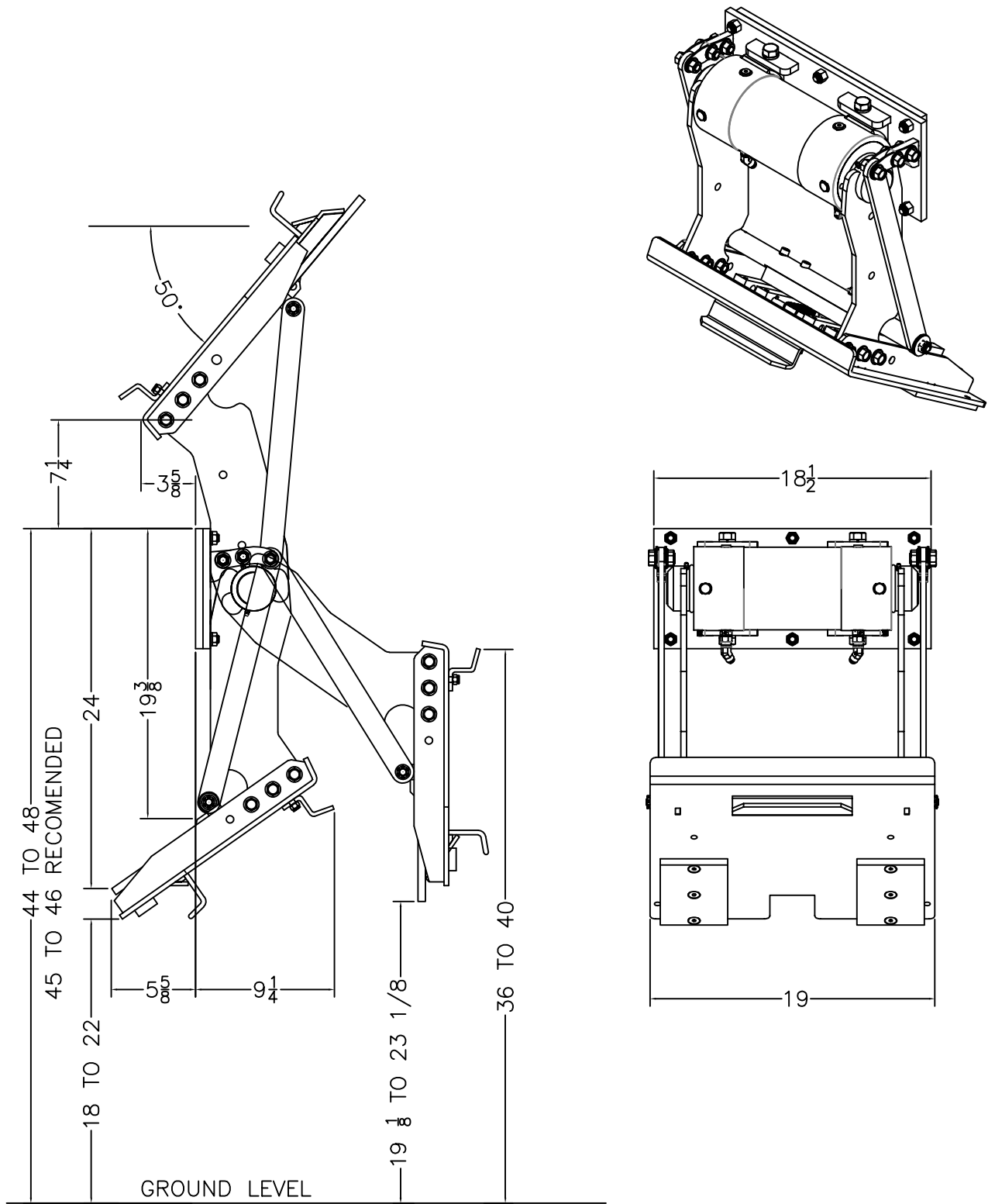
BU18441 HB27N-5541



BU18443 HB27N-5543

BU18445 HB27N-5545





BARKER PRODUCTS
1310 MILLER ROAD
GREENVILLE, SC
29607

DRAWN BY: R WYMAN
DATE: 10/12/2018
MATERIAL: NOTED

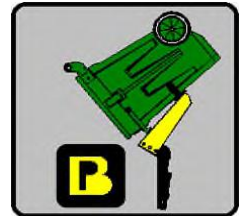
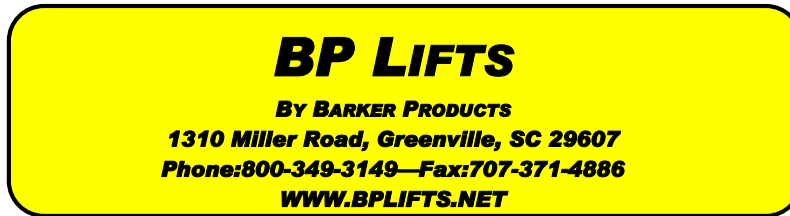
DO NOT SCALE
DRAWING
UNLESS OTHERWISE SPECIFIED:
DIMENSIONS ARE IN INCHES
TOLERANCES:
FRACTIONAL ±1/32
ANGULAR: MACH ±1° BEND ±1°
TWO PLACE DECIMAL ±0.010
THREE PLACE DECIMAL ±0.005

HB27-5545 LIFT UNIT
T30-27 ACTUATOR

DRAWING NO
BU18445 ENVELOPE

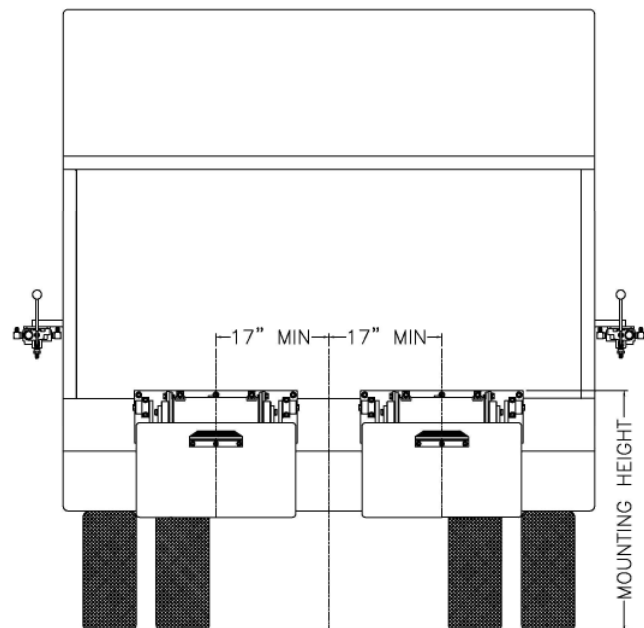
SCALE: 1:10 WEIGHT: 143.554 # SHEET 1 OF 1

REV
00

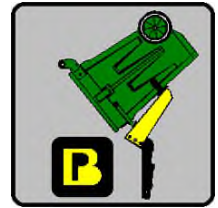
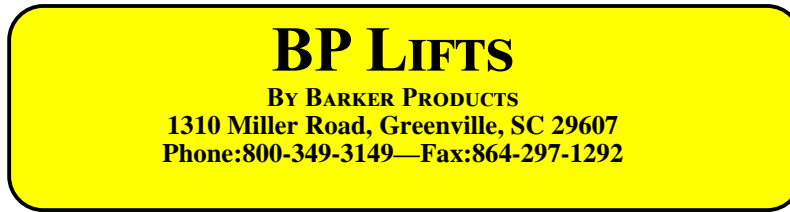


Lift Unit Installation

1. Truck must be empty, clean and parked on a level surface before installation is started.
2. Remove all bumpers and running boards that will interfere with the location of the lift units. Relocate lower mounted tail lights as needed.
3. Measure and mark the centerline of the truck hopper. The centerline of the unit or units should be a minimum of 17" from the hopper centerline.
4. Hand valves should be mounted on the side of the hopper at the most convenient height for the operator and clear of the packer controls.
5. The top of the unit mounting plate should be tack welded in place at the height recommended on the envelope dimension sheet of the unit.
CAUTION: SEE NOTE BELOW PICTURE
6. All dimensions should be approved by the customer before final welding.
7. If the mounting plate extends more than 2" above the hopper, a brace should be added.



Mounting heights and locations are recommendations only. It is the responsibility of the installer to insure that the customer is satisfied with the height. Barker Products recommends that after the units are tacked in place, try the units with the can or cans the customer uses. The customer should approve your mount before final welding.



BPHB27-184XX SERIES LIFT UNIT WARRANTY

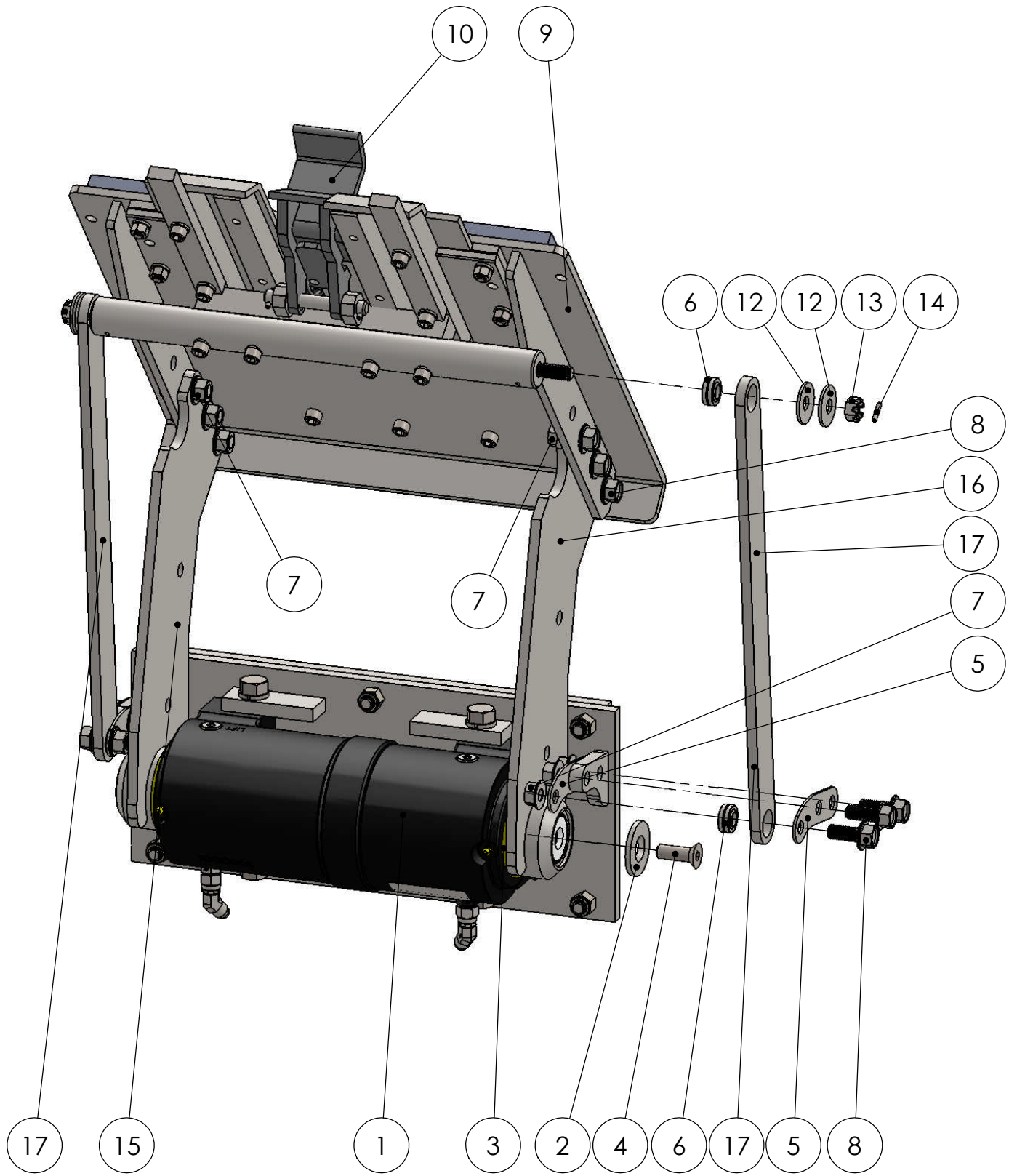
Barker Products warrants each new dump unit to be free of defects in material and workmanship under normal use and service for a period of 1 year or 2000 hours of operation, whichever comes first, from the date of delivery.

This warranty excludes any obligations by BARKER PRODUCTS for the cost of down time. BARKER PRODUCTS will not warranty any dump unit which has been subject to misuse, neglect, alteration, or damaged by an accident.

On any work not performed by BARKER PRODUCTS or it's representative, the customer will be responsible for freight charges on all parts shipped under warranty. Parts will be invoiced at time of shipment. Defective parts must be returned to BARKER PRODUCTS within 30 days. If the part is determined to be defective the customer will be credited for the original invoice.

Customer warranty labor charges must be approved by BARKER PRODUCTS in advance. If not contacted for approval, BARKER PRODUCTS will not be liable for the warranty labor charge.

Limit hydraulic input pressure to 1700 PSI



DO NOT SCALE DRAWING		HB27-5545 LIFT PARTS T30-27 ACTUATOR	
UNLESS OTHERWISE SPECIFIED: DIMENSIONS ARE IN INCHES TOLERANCES: FRACTIONAL $\pm 1/32$ ANGULAR: MACH $\pm 1^\circ$ BEND $\pm 1^\circ$ TWO PLACE DECIMAL ± 0.010 THREE PLACE DECIMAL ± 0.005		DRAWING NO BU18445 PARTS	REV 00
SCALE: 1:5		WEIGHT: 216.824 # SHEET 1 OF 2	



BARKER PRODUCTS
1310 MILLER ROAD
GREENVILLE, SC
29607

DRAWN BY: R WYMAN
DATE: 12/15/2017
MATERIAL: NOTED

ITEM NO.	PART NUMBER	DESCRIPTION	EXPLODED/QTY.
1	BWA18015	MAINFRAME SUB ASSY	1
2	BW18005	SPLINE CAP HB25	2
3	BW18002	O-RING GREASE SEAL	2
4	XAD081312	1/2-13 X 1 1/2 FSHCS	2
5	BW18050	SL PIVOT CAP	4
6	BW99108	1/2" SPHERICAL BEARING	4
7	XDH081300	1/2-13 FLANGED NUT	12
8	XAE081310	1/2-13 X 1 1/4 FLANGED HHCS	12
9	BWA18090	LIFT PLATE SUB ASSY	1
10	BW19000	SLIDE PARTS	1
12	BW02210	1/2" BELLEVILLE SPRING WASHER	4
13	XDE081300	1/2-13 SLOTTED NUT	2
14	BW02125	5/32 X 3/4 SPRING PIN	2
15	BW18150	LEFT LIFT ARM	1
16	BW18160	RIGHT LIFT ARM	1
17	BW18180	SLIDE LINK	2



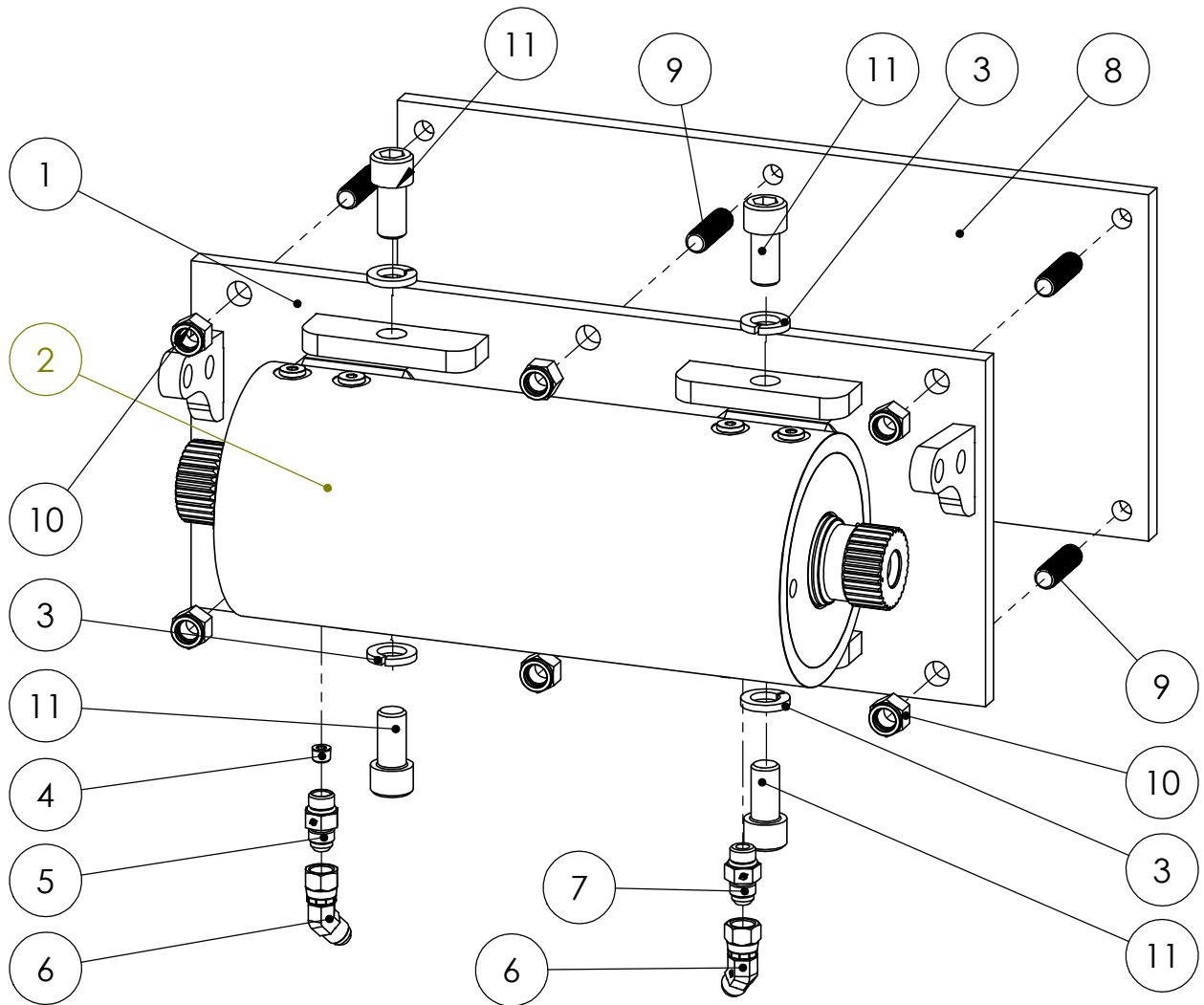
BARKER PRODUCTS
1310 MILLER ROAD
GREENVILLE, SC
29607

DRAWN BY: R WYMAN
DATE: 12/15/2017
MATERIAL: NOTED

DO NOT SCALE
DRAWING
UNLESS OTHERWISE SPECIFIED:
DIMENSIONS ARE IN INCHES
TOLERANCES:
FRACTIONAL ±1/32
ANGULAR: MACH ±1° BEND ±1°
TWO PLACE DECIMAL ±0.010
THREE PLACE DECIMAL ±0.005

HB27-5545 LIFT PARTS
T30-27 ACTUATOR
DRAWING NO
BU18445 PARTS
SCALE: 1:1 WEIGHT: 216.824 # SHEET 2 OF 2
REV
00

ITEM NO.	PART NUMBER	DESCRIPTION	EXPLODED PARTS/QTY.
1	BW18015	MAINFRAME	1
2	BW18300	ACTUATOR	1
3	XEB101000	5/8 LOCKWASHER	5
4	BV00025	116 X 1/8 NPT ORIFICE PLUG	1
5	BV00064	6T X 6S ORIFICE FITTING	1
6	BR04842	6502-06-06 MJ-FJS 45 DEG	2
7	BR03830	6400-06-06 M TUBE O-RING	1
8	BW17525	MOUNT PLATE - N	1
9	BW07140	PLATE STUD	6
10	XDC082000	1/2-20 NYLOK NUT	6
11	XAB101110	5/8-11 X 1 1/4 SHCS	4



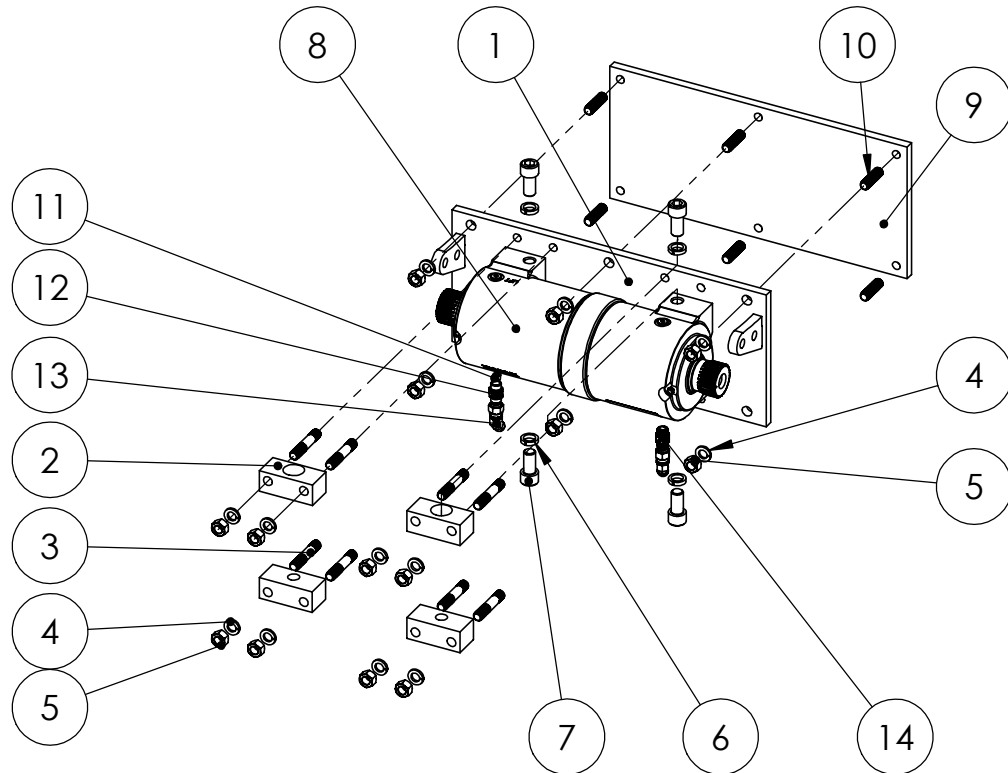
DO NOT SCALE DRAWING		MAINFRAME SUB ASSY T30-27 HB2580 & 55	
UNLESS OTHERWISE SPECIFIED: DIMENSIONS ARE IN INCHES TOLERANCES: FRACTIONAL ±1/32 ANGULAR: MACH ±1° BEND ±1° TWO PLACE DECIMAL ±0.010 THREE PLACE DECIMAL ±0.005		DRAWING NO BWA18015 PARTS	REV 00
SCALE: 1:4		WEIGHT: 122.575 # SHEET 1 OF 1	



BARKER PRODUCTS
1310 MILLER ROAD
GREENVILLE, SC
29607

DRAWN BY: R WYMAN
DATE: 3/18/2020
MATERIAL: NOTED

ITEM NO.	PART NUMBER	DESCRIPTION	QTY.
1	BW18014	MAINFRAME	1
2	BW18013	27K ACTUATOR MT BRKT	4
3	BW07105	ACTUATOR MOUNT STUD	8
4	XEB081000	1/2 LOCK WASHER	14
5	XDA082000	1/2-20 HEX NUT	14
6	XEC1014203	5/8 HIGH COLLAR LOCK WASHER	4
7	XAB101110	5/8-11 X 1 1/4 SHCS	4
8	BW18300	27K HELICAL ACTUATOR	1
9	BW17525	MOUNT PLATE - N	1
10	BW07140	PLATE STUD	6
11	BV00025	116 X 1/8 NPT ORIFICE PLUG	2
12	BV00064	6T X 6S ORIFICE FITTING	1
13	BR04842	6502-06-06 MJ-FJS 45 DEG	2
14	BR03830	6400-06-06 M TUBE TO O-RING	1

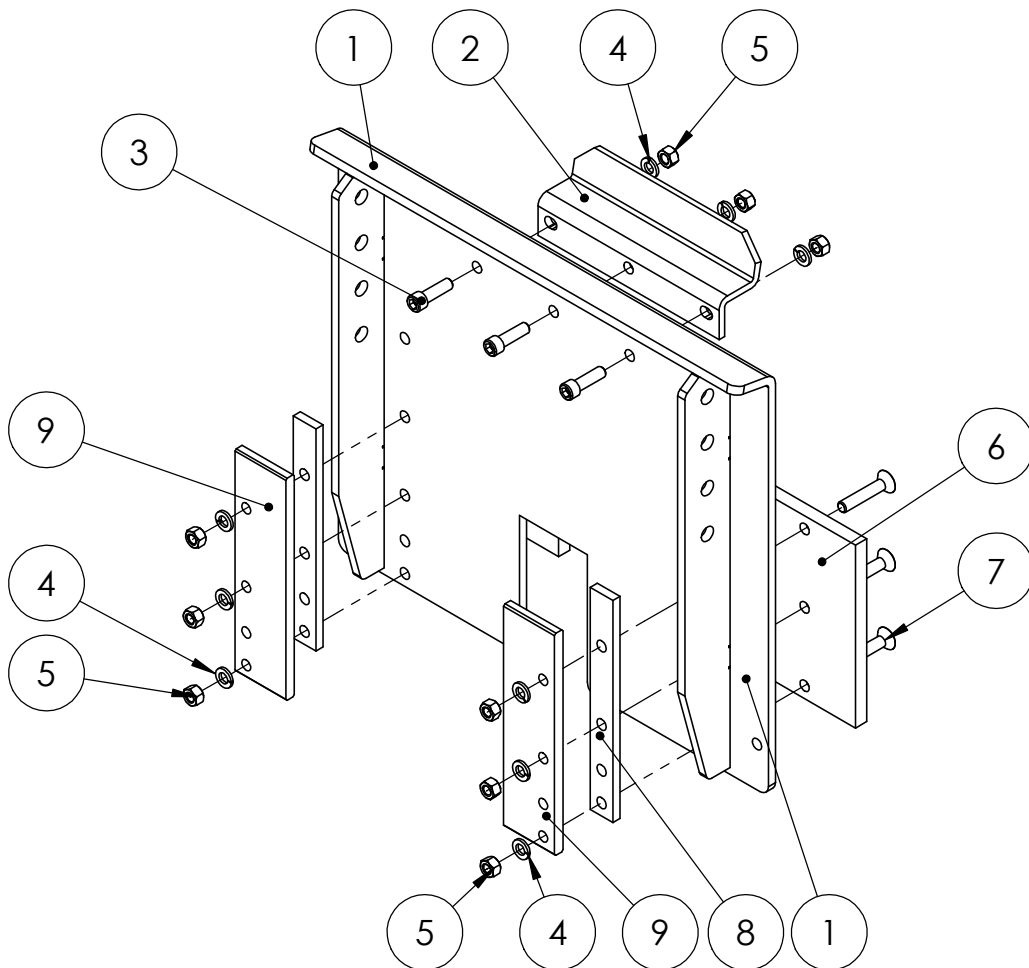


DO NOT SCALE DRAWING		MAINFRAME SUB ASSY	
UNLESS OTHERWISE SPECIFIED: DIMENSIONS ARE IN INCHES TOLERANCES: FRACTIONAL ±1/32 ANGULAR: MACH ±1° BEND ±1° TWO PLACE DECIMAL ±0.010 THREE PLACE DECIMAL ±0.005		BU18XXX	
DRAWN BY: R WYMAN		DRAWING NO BWA18014	
DATE: 4/12/2022		REV 00	
MATERIAL: NOTED		SCALE: 1:10 WEIGHT: 114.581 # SHEET 1 OF 1	



BARKER PRODUCTS
1310 MILLER ROAD
GREENVILLE, SC
29607

ITEM NO.	PART NUMBER	DESCRIPTION	EXPLODED PARTS/QTY.
1	BW18090	LIFT PLATE	1
2	BW00800	SADDLE	1
3	XAB061610	3/8-16 X 1 1/4 SHCS	3
4	XEB061000	3/8 LOCKWASHER	9
5	XDA061600	3/8-16 HEX NUT	9
6	BW10675	CAN SUPPORT	2
7	XAD061616	3/8-16 X 2 FSHCS	6
8	BW19110	SLIDE SPACER	2
9	BW19100	SLIDE CAP	2

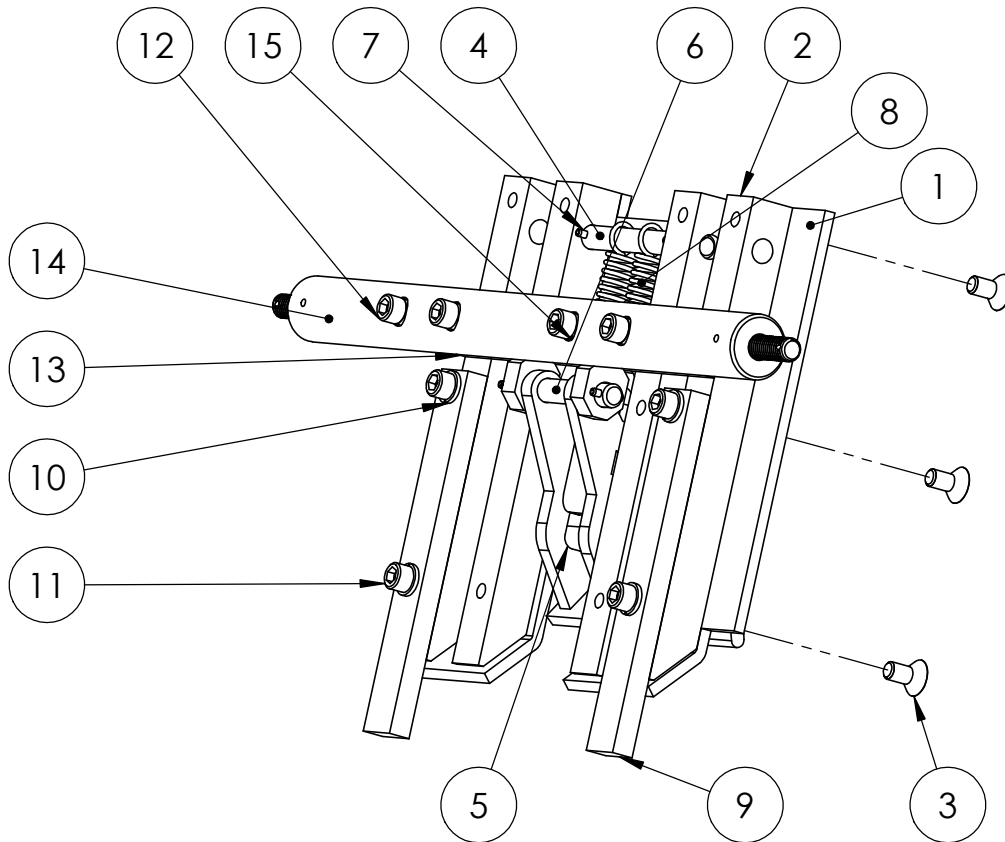


DO NOT SCALE DRAWING		LIFT PLATE SUB ASSY	
UNLESS OTHERWISE SPECIFIED: DIMENSIONS ARE IN INCHES TOLERANCES: FRACTIONAL ±1/32 ANGULAR: MACH ±1° BEND ±1° TWO PLACE DECIMAL ±0.010 THREE PLACE DECIMAL ±0.005		HB25	
DRAWN BY: R WYMAN		DRAWING NO	
DATE: 7/12/2017		BWA18090	
MATERIAL: NOTED		REV 00	
SCALE: 1:6		WEIGHT: 41.513 #	
		SHEET 1 OF 1	



BARKER PRODUCTS
1310 MILLER ROAD
GREENVILLE, SC
29607

ITEM NO.	PART NUMBER	DESCRIPTION	EXPLODE VIEW/QTY.
1	BW10230	SLIDE PLATE	1
2	BW10240	SLIDE SUPPORT	4
3	XAD061606	3/8-16 X 3/4 FHSCS	12
4	BW10110	SPRING SHAFT	1
5	BW10680	HOOK	1
6	BW10100	HOOK SHAFT	1
7	BW02125	5/32 X 3/4 SPRING PIN	4
8	BW10120	HOOK SPRING	2
9	BW10690	SLIDE EXTENSION	2
10	XEB061000	3/8 LOCKWASHER	4
11	XAB061608	3/8-16 X 1 SHCS	4
12	XAB061620	3/8-16 X 2 1/2 SHCS	4
13	BW18080	HOOK MOUNT	1
14	BW18075	SLIDE DRIVE	1
15	XEC0606080	3/8 HC LOCKWASHER	4



DO NOT SCALE DRAWING		SLIDE PARTS 25K UNITS	
UNLESS OTHERWISE SPECIFIED: DIMENSIONS ARE IN INCHES TOLERANCES: FRACTIONAL ±1/32 ANGULAR: MACH ±1° BEND ±1° TWO PLACE DECIMAL ±0.010 THREE PLACE DECIMAL ±0.005		DRAWING NO BW19000	REV 00
SCALE: 1:4		WEIGHT: 30.667 #	SHEET 1 OF 1



BARKER PRODUCTS
1310 MILLER ROAD
GREENVILLE, SC
29607

DRAWN BY: R WYMAN
DATE: 7/12/2017
MATERIAL: NOTED



1310 Miller Road
Greenville, SC 29607

Barker Products

Lift Unit Specialist



Phone: 864-288-7384
Fax: 707-371-4886

BPHB27-55 SERIES LIFT UNIT SPECIFICATIONS

THE FOLLOWING SPECIFICATIONS ARE INTENDED TO DESCRIBE EQUIPMENT FOR A SEMIAUTOMATIC REFUSE COLLECTION SYSTEM WHICH WILL UTILIZE ANSI Z245 TYPE B RESIDENTIAL CARTS AND HYDRAULIC LIFTING MECHANISMS (DUMPERS) INSTALLED ON REAR LOADING PACKER BODIES FOR DUMPING THESE CARTS.

- 1. THE DUMPER SHALL CONSIST OF A STATIC SUB-FRAME BOLTED TO STEEL PLATE (BOLT ON KIT) WELDED TO THE HOPPER AND A DYNAMIC LIFTING PLATE (SHELL).**
- 2. THE MOTION OF THE LIFT PLATE MUST ALLOW FOR FAST AND EASY ATTACHMENT OF THE CART WHEN USED ON ROUGH AND UNLEVEL STREET CONDITIONS. IN THE STORED POSITION THE LIFT PLATE WILL BE RECESSED BACK UNDER THE TRUCK AT A 55 DEGREE ANGLE AND MOUNTED TO HAVE A MINIMUM GROUND CLEARANCE OF 20".**
- 3. THE DUMPER SHALL HAVE A COMPLETE CYCLE TIME (GROUND TO GROUND) OF 6 TO 10 SECONDS.**
- 4. ALL PARTS MUST BE REMOVABLE FROM THE STATIC SUBFRAME WITH HAND TOOLS WHILE THE SUBFRAME REMAINS ATTACHED TO THE TRUCK.**
- 5. THE DUMP ANGLE OF THE LIFTING PLATE WILL BE 50 DEGREES.**
- 6. THE LIFTING PLATE (DUMPER SHELL) WILL BE CONSTRUCTED OF 5/16" STEEL PLATE WITH STEEL RIBS WELDED VERTICALLY FOR ADDED STRENGTH. THE LIFTING PLATE MUST BE EASILY REPLACEABLE IF DAMAGED (ATTACHED TO THE STATIC FRAME USING GRADE 5 BOLTS).**
- 7. THE UNIT WILL BE LOW MAINTENANCE WITH NO GREASE POINTS ONLY ON ACTUATOR SHAFT SEAL.**
- 8. THE LOWER LOCKING LATCH ON THE LIFTING FRAME IS MECHANICALLY OPERATED SO THAT IT SLIDES DOWN TO SECURELY LATCH ON TO THE LOWER BAR OF THE CART AS IT IS BEING LIFTED. THE LATCH MUST THEN BE CAPABLE OF HOLDING THE CART FIRMLY IN PLACE IN THE INVERTED POSITION, EVEN IF THE CART IS SHAKEN TO REMOVE ALL REFUSE FROM WITHIN. BEING MECHANICALLY OPERATED, THE LATCH MUST THEN SLIDE UP TO RELEASE THE CART BEFORE IT CONTACTS THE ROAD SURFACE AS IT IS LOWERED. THE LATCH MECHANISM MUST BE BOLTED TO THE LIFTING PLATE FOR EASE OF REPLACEMENT IF DAMAGED. TENSION SPRINGS ONLY ON THE LOWER LATCH, NO TORSION SPRINGS.**
- 9. THE LIFTING PLATE IS POWERED BY A HELICAL ROTARY ACTUATOR WITH SPLINED SHAFTS RATED FOR 220 DEGREES ROTATION. AT 3000 PSI OPERATING PRESSURE THE ACTUATOR WILL HAVE A TORQUE RATING OF 25000 INCH POUNDS.**
- 10. THE UNIT MUST BE MOUNTED SO THAT THE LIFTING PLATE CAN NOT BE CONTACTED BY THE PACKER BLADE.**