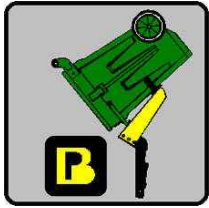




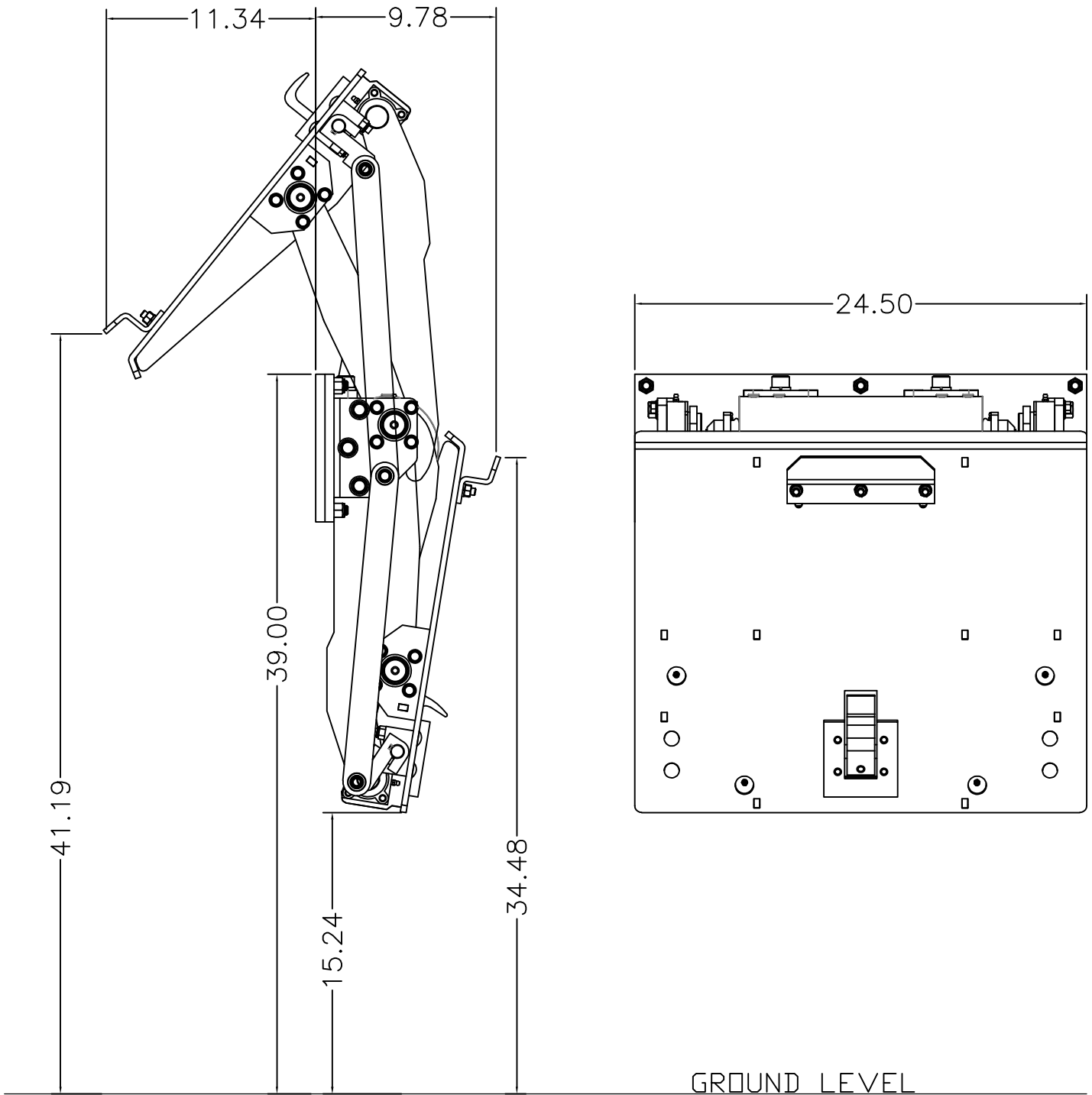
**BP LIFTS**  
BY BARKER PRODUCTS  
1310 Miller Road, Greenville, SC 29607  
Phone:800-349-3149—Fax:864-297-1292



# ***BPH2-27 SERIES LIFTS***



***Powered By A 27K Helical Actuator  
With  
Splined Shafts To Eliminate Arm Movement & Wear  
For  
Extreme Heavy Duty High Lift Applications  
45" To 57" Mounting Heights  
50" To 74" Dump Heights  
Over 50 Degree Dump Angle To Empty Can Quickly  
Dumps Deep Into Hopper to Prevent Spillage  
Hardened Steel Bearings At All Pivot Points***

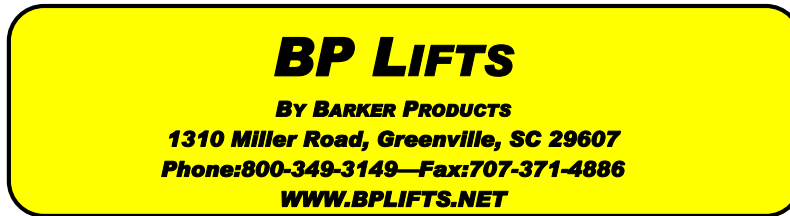


BARKER PRODUCTS  
 1310 MILLER ROAD  
 GREENVILLE, SC  
 29607

DRAWN BY: R WYMAN  
 DATE: 5/22/2020  
 MATERIAL: NOTED

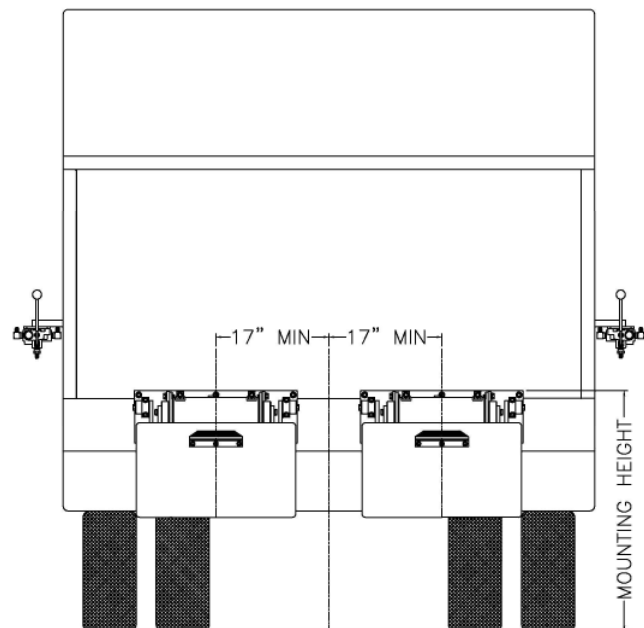
DO NOT SCALE  
 DRAWING  
 UNLESS OTHERWISE SPECIFIED  
 DIMENSIONS ARE IN INCHES  
 TOLERANCES:  
 FRACTIONAL ±1/32  
 ANGULAR: MACH ±1° BEND ±1°  
 TWO PLACE DECIMAL ±0.010  
 THREE PLACE DECIMAL ±0.005

H2-2739 LIFT UNIT ENVELOPE DIMENSIONS		REV 00
DRAWING NO BU18639 ENVELOPE		
SCALE: 1:8	WEIGHT: 257.640 #	SHEET 1 OF 1

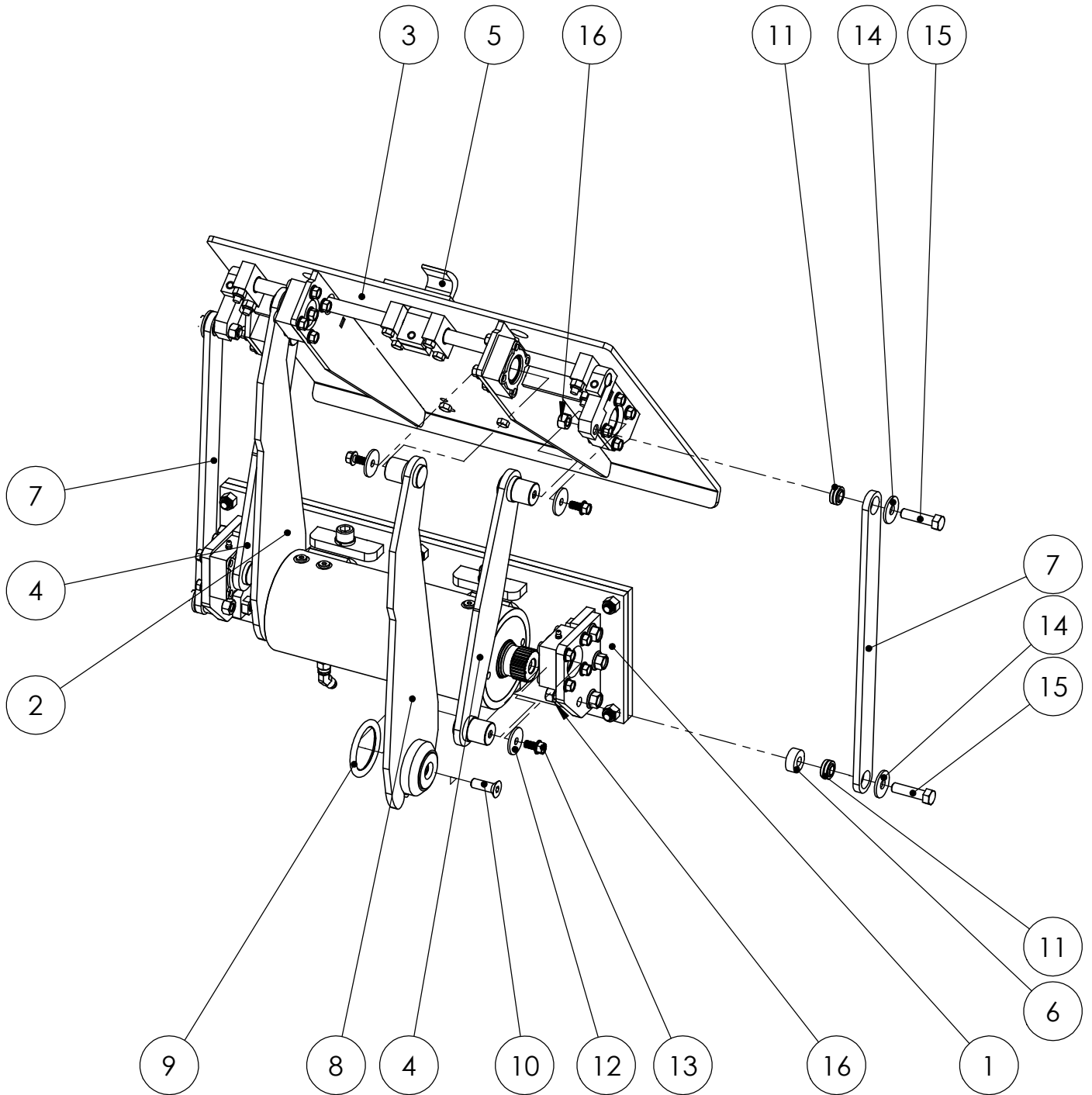


# Lift Unit Installation

1. Truck must be empty, clean and parked on a level surface before installation is started.
2. Remove all bumpers and running boards that will interfere with the location of the lift units. Relocate lower mounted tail lights as needed.
3. Measure and mark the centerline of the truck hopper. The centerline of the unit or units should be a minimum of 17" from the hopper centerline.
4. Hand valves should be mounted on the side of the hopper at the most convenient height for the operator and clear of the packer controls.
5. The top of the unit mounting plate should be tack welded in place at the height recommended on the envelope dimension sheet of the unit.  
**CAUTION: SEE NOTE BELOW PICTURE**
6. All dimensions should be approved by the customer before final welding.
7. If the mounting plate extends more than 2" above the hopper, a brace should be added.



Mounting heights and locations are recommendations only. It is the responsibility of the installer to insure that the customer is satisfied with the height. Barker Products recommends that after the units are tacked in place, try the units with the can or cans the customer uses. The customer should approve your mount before final welding.



DO NOT SCALE DRAWING		H2-2739 LIFT UNIT PARTS DRAWING	
UNLESS OTHERWISE SPECIFIED: DIMENSIONS ARE IN INCHES TOLERANCES: FRACTIONAL $\pm 1/32$ ANGULAR: MACH $\pm 1^\circ$ BEND $\pm 1^\circ$ TWO PLACE DECIMAL $\pm 0.010$ THREE PLACE DECIMAL $\pm 0.005$		DRAWING NO. BU18639 PARTS	REV 00
SCALE: 1:8	WEIGHT: 258.602 #	SHEET 1 OF 2	



**BARKER PRODUCTS**  
1310 MILLER ROAD  
GREENVILLE, SC  
29607

DRAWN BY: R WYMAN  
DATE: 5/26/2020  
MATERIAL: NOTED

ITEM NO.	PART NUMBER	DESCRIPTION	QTY.
1	BWA18502	MAINFRAME SUB ASSY H2-27XX	1
2	BW18548	LEFT LIFT ARM	1
3	BWA18540	LIFT PLATE SUB ASSY	1
4	BW18629	GUIDE ARM	2
5	BWA07490	HOOK SUB ASSY	1
6	BW18520	HOOK LINK DRIVE SPACER	2
7	BW18669	HOOK LINK	2
8	BW18549	RIGHT LIFT ARM	1
9	BW18002	O-RING GREASE SEAL	2
10	XAD081312	1/2-13 X 1 1/2 SHCS	2
11	BW99108	1/2" SPHERICAL BEARING	4
12	XEA062412SS	FLAT WASHER 3/8 X 1 1/2 X 1/8	6
13	XAE061606	3/8-16 X 3/4 FLANGED HHCS	6
14	XEA082412SS	FLAT WASHER 1/2 X 1 1/2 X 1/8	4
15	XAA081316	1/2-13 X 2 HHCS	4
16	XDA081300	1/2-13 HEX NUT	4



**BARKER PRODUCTS**  
**1310 MILLER ROAD**  
**GREENVILLE, SC**  
**29607**

DRAWN BY: R WYMAN  
DATE: 5/26/2020  
MATERIAL: NOTED

DO NOT SCALE  
DRAWING  
UNLESS OTHERWISE SPECIFIED:  
DIMENSIONS ARE IN INCHES  
TOLERANCES:  
FRACTIONAL ±1/32  
ANGULAR: MACH ±1° BEND ±1°  
TWO PLACE DECIMAL ±0.010  
THREE PLACE DECIMAL ±0.005

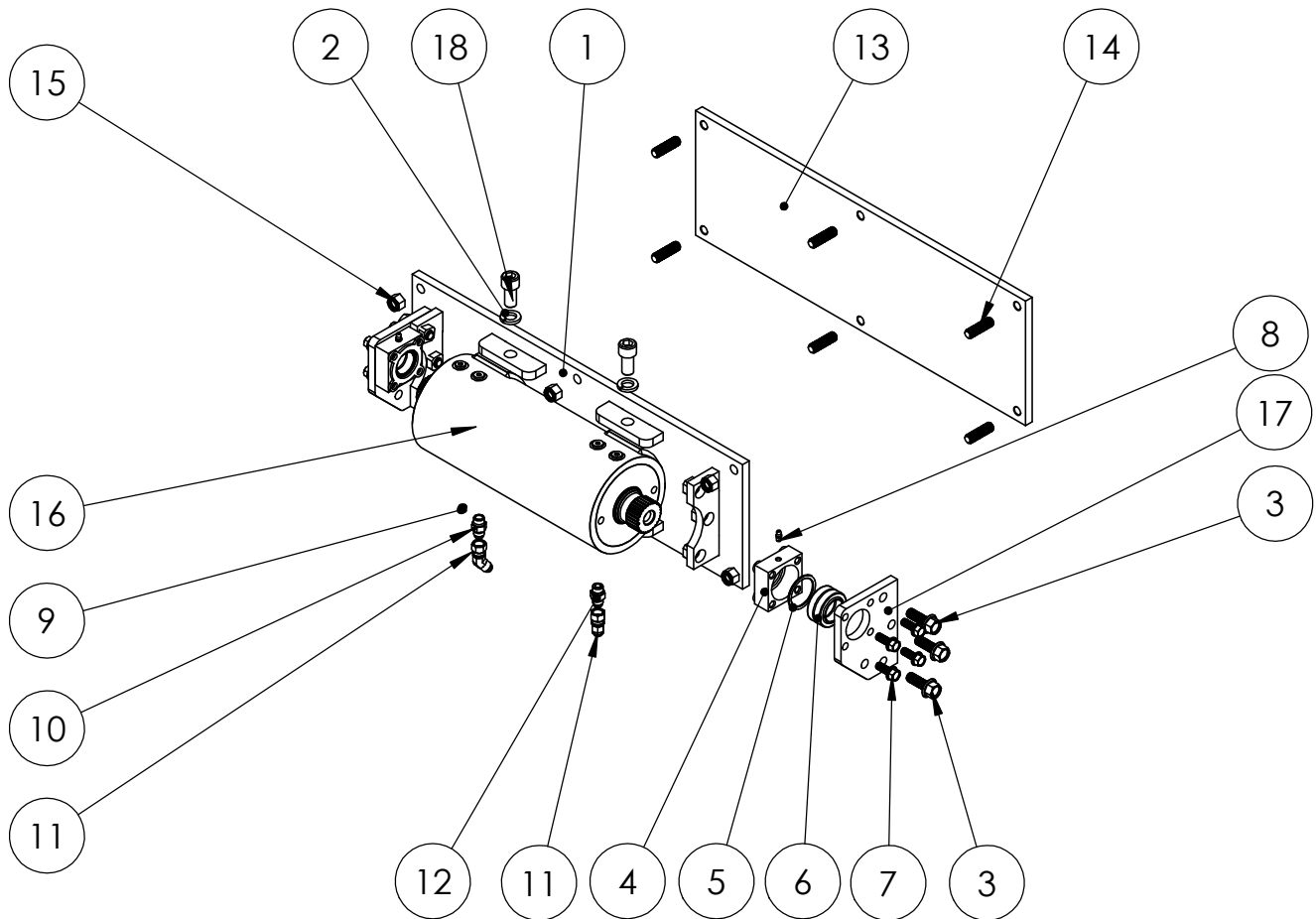
H2-2739 LIFT UNIT  
PARTS DRAWING

DRAWING NO  
BU18639 PARTS

REV  
00

SCALE: 1:8 WEIGHT: 258.602 # SHEET 2 OF 2

ITEM NO.	PART NUMBER	DESCRIPTION	QTY.
1	BW18505	MAINFRAME T30-27XX	1
2	XEB101000	5/8 LOCKWASHER	4
3	XAE081312	1/2-13 X 1 1/2 FLANGED HHCS	6
4	BW18530	BEARING BODY	2
5	BW21065	PIVOT BEARING SPACER	2
6	BW99320	SPHERICAL BEARING 1 1/4	2
7	XAE061608	3/8-16 X 1 FLANGED HHCS	8
8	BW01110	GREASE FITTING - 1/4-28 SHORT	2
9	BV00025	116 X 1/8 NPT ORIFICE PLUG	2
10	BV00064	6T X 6S ORIFICE FITTING	1
11	BR04842	6502-06-06 MJ-FJS 45 DEG	2
12	BR03830	6400-06-06 M TUBE O-RING	1
13	BW07030	MOUNT PLATE H	1
14	BW07140	PLATE STUD	6
15	XDC082000	1/2-20 NYLOK NUT	6
16	BW18300	ACTUATOR	1
17	BW18503	BEARING MOUNT	2
18	XAB101110	5/8-11 X 1 1/4 SHCS	4

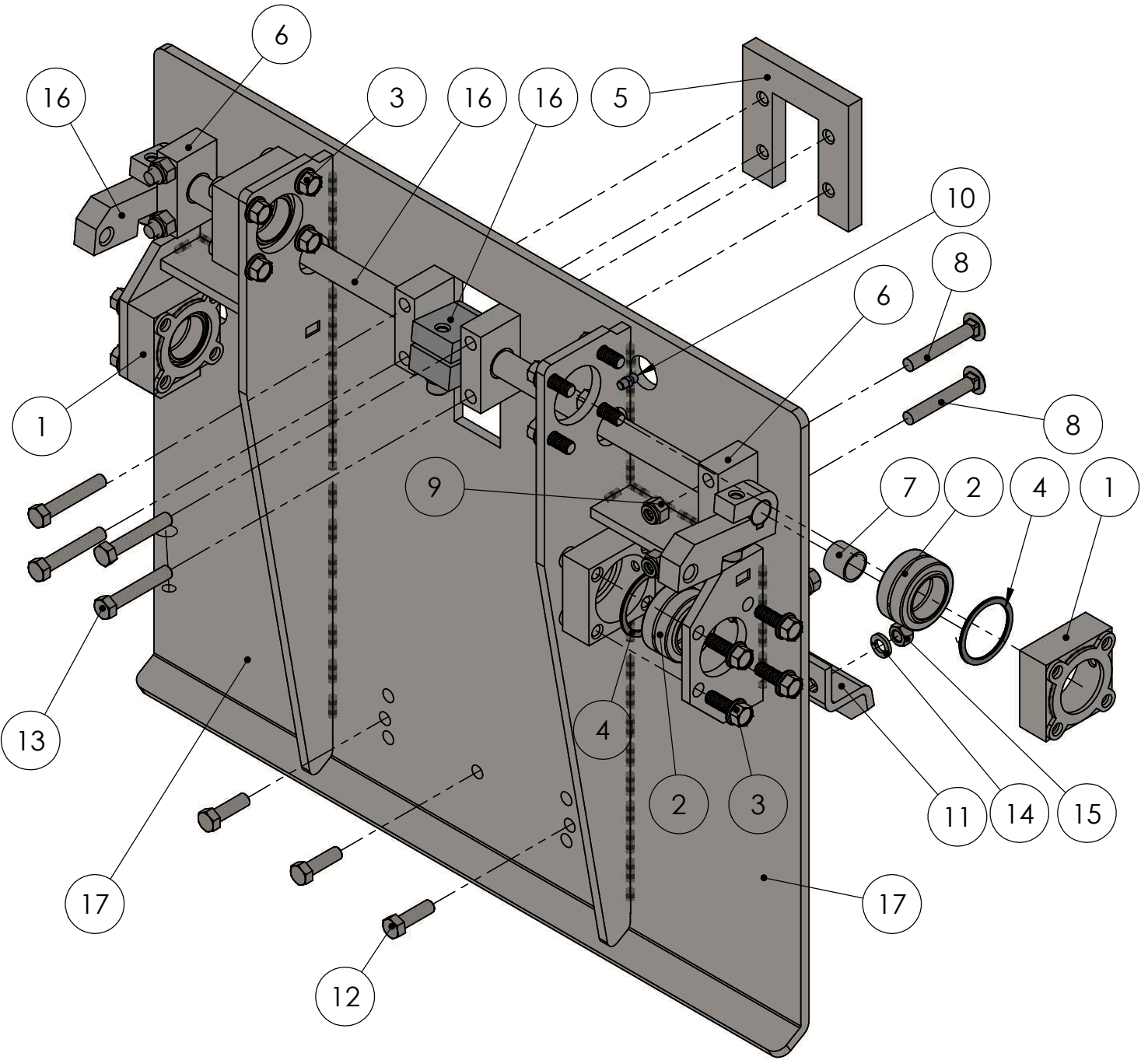


DO NOT SCALE DRAWING		MAINFRAME SUB ASSY H2-2739-41-43	
UNLESS OTHERWISE SPECIFIED: DIMENSIONS ARE IN INCHES		T30-27 ACTUATOR	
TOLERANCES:		DRAWING NO	
FRACTIONAL ±1/32		BWA18502 PARTS	
ANGULAR: MACH ±1° BEND ±1°		REV	
TWO PLACE DECIMAL ±0.010		00	
THREE PLACE DECIMAL ±0.005		SCALE: 1:10	
MATERIAL: NOTED		WEIGHT: 147.601 #	
		SHEET 1 OF 1	



**BARKER PRODUCTS**  
**1310 MILLER ROAD**  
**GREENVILLE, SC**  
**29607**

DRAWN BY: R WYMAN  
DATE: 5/22/2020  
MATERIAL: NOTED



DO NOT SCALE DRAWING		LIFT PLATE SUB ASSY H2-25 LIFTS	
UNLESS OTHERWISE SPECIFIED: DIMENSIONS ARE IN INCHES TOLERANCES: FRACTIONAL $\pm 1/32$ ANGULAR: MACH $\pm 1^\circ$ BEND $\pm 1^\circ$ TWO PLACE DECIMAL $\pm 0.010$ THREE PLACE DECIMAL $\pm 0.005$		DRAWING NO BWA18540	REV 01
SCALE: 1:4	WEIGHT: 74.297 #	SHEET 1 OF 2	



**BARKER PRODUCTS**  
1310 MILLER ROAD  
GREENVILLE, SC  
29607

DRAWN BY: R WYMAN  
DATE: 8/1/2017  
MATERIAL: NOTED

ITEM NO.	PART NUMBER	DESCRIPTION	EXPLODED PARTS/QTY.
1	BW18530	BEARING BODY	4
2	BW99320	SPHERICAL BEARING 1 1/4	4
3	XAE061608	3/8-16 X 1 FLANGED HHCS	16
4	BW21065	PIVOT BEARING SPACER	4
5	BZ03451	SUPPORT PLATE	1
6	BW17130	HOOK BEARING MOUNT	4
7	BW03195	12-DU-12 BEARING	4
8	XAH061620	3/8-16 X 2 1/2 CARRIAGE BOLT	4
9	XDC061600	3/8-16 NYLOK NUT	4
10	BW01110	GREASE FITTING - 1/4-28 SHORT	4
11	BW00800	SADDLE	1
12	XAA061610	3/8-16 X 1 1/4 HHCS	3
13	XAA061618	3/8-16 X 2 1/4 HHCS	4
14	XEB061000	3/8 LOCKWASHER	3
15	XDA061600	3/8-16 HEX NUT	3
16	BWA07490	HOOK SUB ASSY	1
17	BW18540	LIFT PLATE	1



**BARKER PRODUCTS**  
1310 MILLER ROAD  
GREENVILLE, SC  
29607

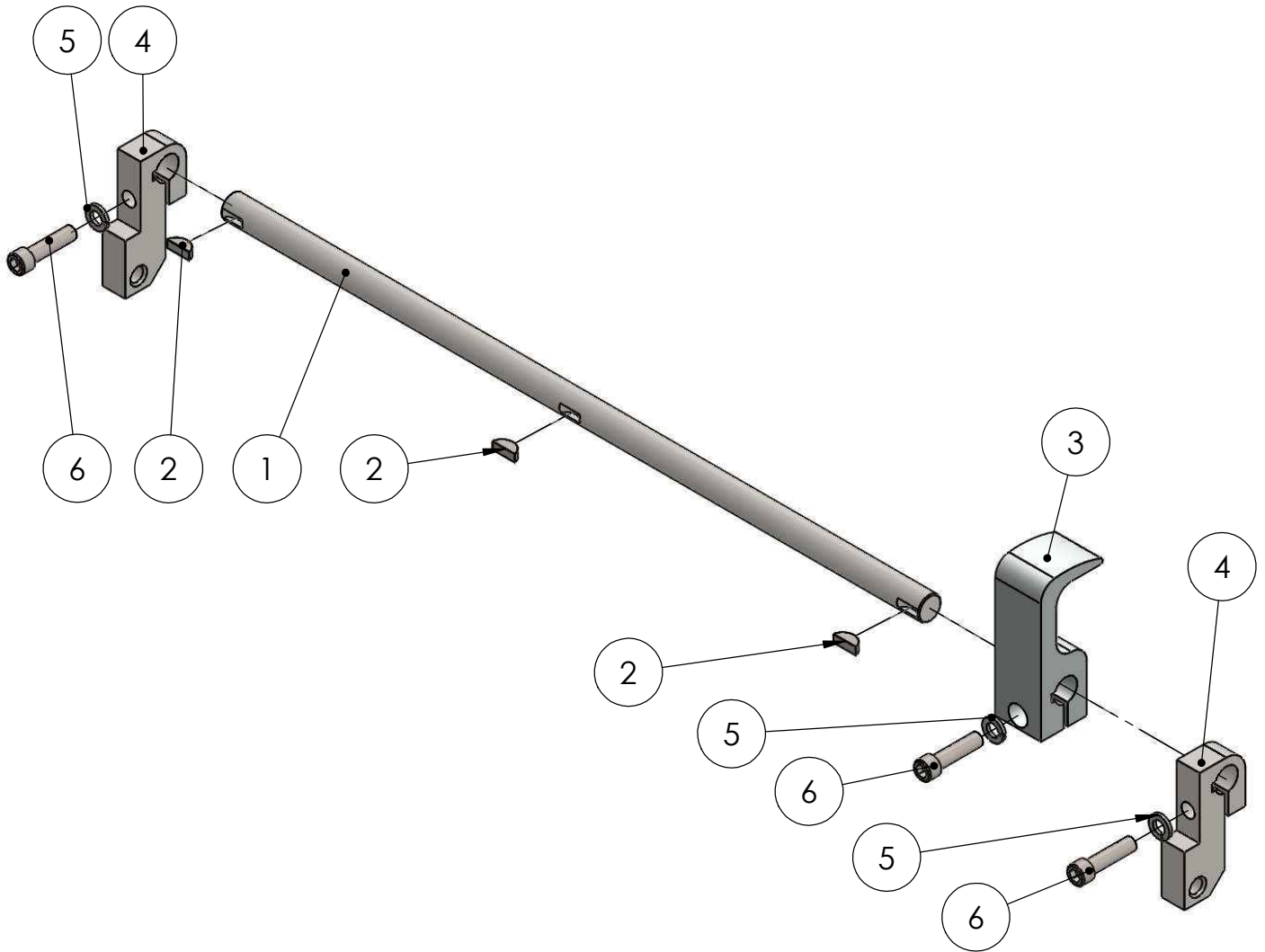
DRAWN BY: R WYMAN  
DATE: 8/1/2017  
MATERIAL: NOTED

DO NOT SCALE  
DRAWING  
UNLESS OTHERWISE SPECIFIED:  
DIMENSIONS ARE IN INCHES  
TOLERANCES:  
FRACTIONAL ±1/32  
ANGULAR: MACH ±1° BEND ±1°  
TWO PLACE DECIMAL ±0.010  
THREE PLACE DECIMAL ±0.005

LIFT PLATE SUB ASSY  
H2-25 LIFTS  
DRAWING NO  
BWA18540  
SCALE: 1:6 WEIGHT: 74.297 # SHEET 2 OF 2  
REV  
01



ITEM NO.	PART NUMBER	DESCRIPTION	EXPLODED PARTS/QTY.
1	BW18550	HOOK SHAFT	1
2	BW07560	WOODRUFF KEY #806	3
3	BW07490	HOOK	1
4	BW06780	HOOK DRIVE	2
5	XEB061000	3/8 LOCKWASHER	3
6	XAB061612	3/8-16 X 1 1/2 SHCS	3



DO NOT SCALE DRAWING		HOOK SUB ASSY H2-25	
UNLESS OTHERWISE SPECIFIED: DIMENSIONS ARE IN INCHES TOLERANCES: FRACTIONAL $\pm 1/32$ ANGULAR: MACH $\pm 1^\circ$ BEND $\pm 1^\circ$ TWO PLACE DECIMAL $\pm 0.010$ THREE PLACE DECIMAL $\pm 0.005$		DRAWING NO BWA07490	REV 00
SCALE: 1:4	WEIGHT: 6.177 #	SHEET 1 OF 1	



**BARKER PRODUCTS**  
1310 MILLER ROAD  
GREENVILLE, SC  
29607

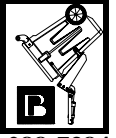
DRAWN BY: R WYMAN  
DATE: 8/1/2017  
MATERIAL: NOTED



1310 Miller Road  
Greenville, SC 296078

# Barker Products

*Lift Unit Specialist*



Phone:864-288-7384  
Fax:864-297-1292

## **BPH SERIES LIFT UNIT WARRANTY**

**Barker Products warranties each new dump unit to be free of defects in material and workmanship under normal use and service for a period of 1 year or 2000 hours of operation, whichever comes first, from the date of delivery.**

**This warranty excludes any obligations by BARKER PRODUCTS for the cost of down time. BARKER PRODUCTS will not warranty any dump unit which has been subject to misuse, neglect, alteration, or damaged by an accident.**

**On any work not performed by BARKER PRODUCTS or it's representative, the customer will be responsible for freight charges on all parts shipped under warranty. Parts will be invoiced at time of shipment. Defective parts must be returned to BARKER PRODUCTS within 30 days. If the part is determined to be defective the customer will be credited for the original invoice.**

**Customer warranty labor charges must be approved by BARKER PRODUCTS in advance. If not contacted for approval, BARKER PRODUCTS will not be liable for the warranty labor charge.**