



BP Lifts
By Barker Products
1310 Miller Road, Greenville, SC 29607

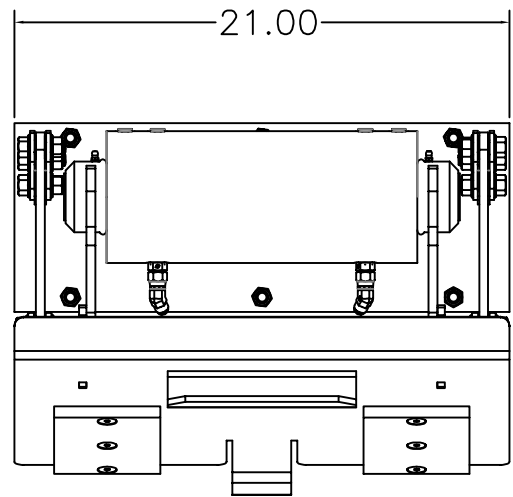
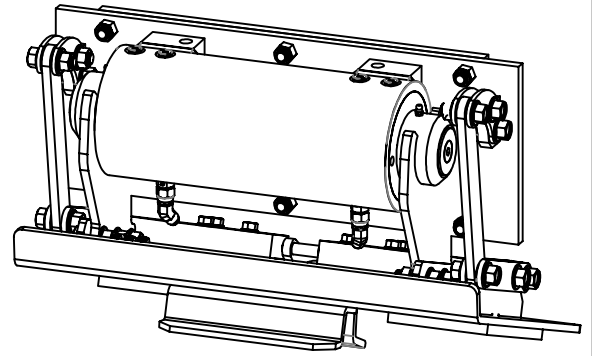
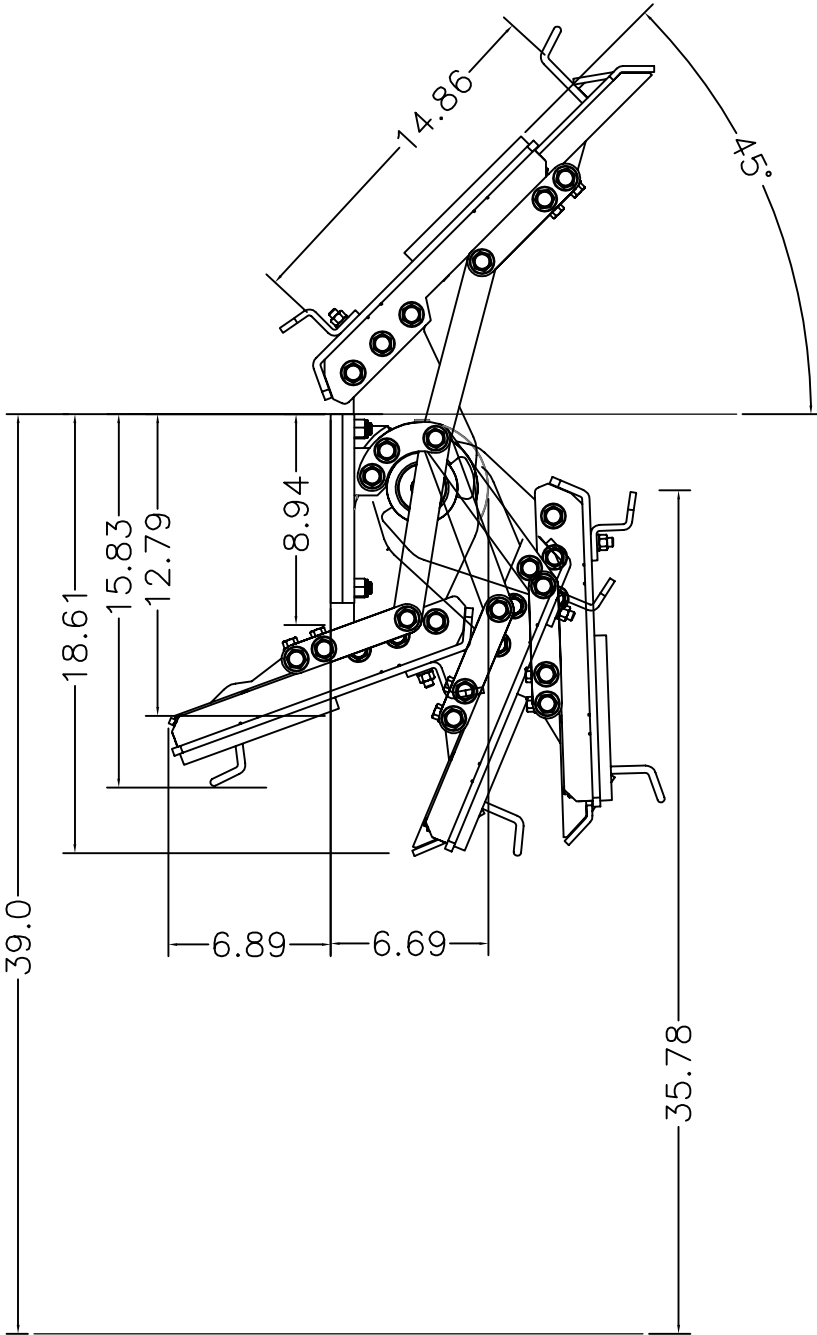


Model HB27-7041 Lift

Part # BU19039



- Dependable Smooth Acting 27K Helical Rotary Actuator
- Splined Shafts To Eliminate Arm Movement And Wear
- 45 Degree Dump Angle
- No Grease Points
- EZ Bolt On Kit Standard
- Meets ANSI Z245 Type B Specs
- Lifts All Standard American 2 Bar Carts
- Liftplate Arc Motion Makes Cart Attachment Fast And Easy On Uneven Highway Conditions
- Double Wide Mounting Plate Available. Increases Hopper Height To Decrease Packing Cycles
- 39 to 41 Inch Mounting Height
- 23 1/8 to 25 1/8 Inch Ground Clearance
- Use on Rear Loaders



BARKER PRODUCTS
1310 MILLER ROAD
GREENVILLE, SC
29607

DRAWN BY: R WYMAN

DATE: 2/24/2020

MATERIAL: NOTED

DO NOT SCALE
DRAWING
UNLESS OTHERWISE SPECIFIED:
DIMENSIONS ARE IN INCHES
TOLERANCES:
FRACTIONAL $\pm 1/32$
ANGULAR: MACH $\pm 1^\circ$ BEND $\pm 1^\circ$
TWO PLACE DECIMAL ± 0.010
THREE PLACE DECIMAL ± 0.005

HB27-7039 LIFT UNIT

DRAWING NO
BU19039

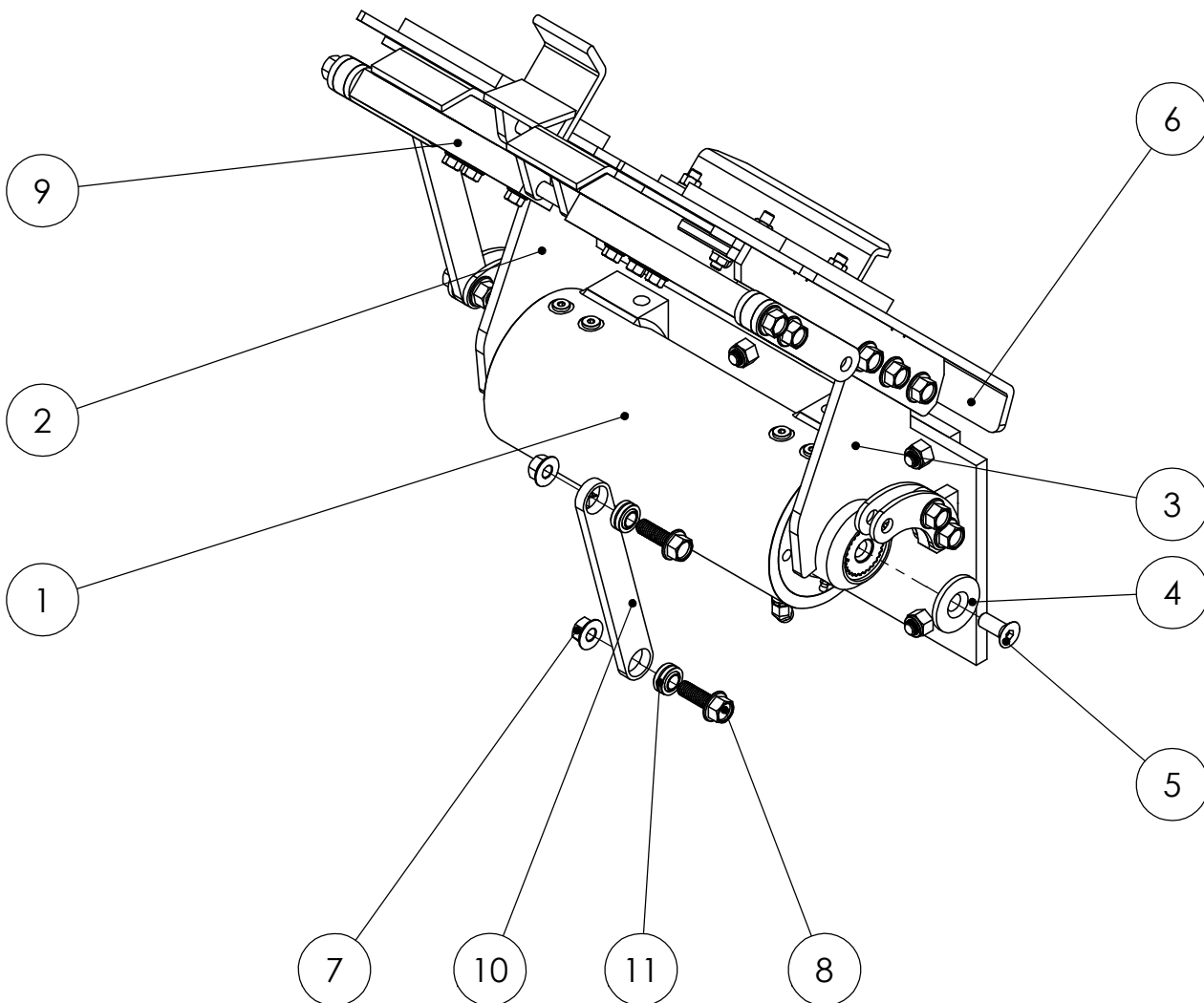
SCALE: 1:8

WEIGHT: 211 #

SHEET 1 OF 1

REV
00

ITEM NO.	PART NUMBER	DESCRIPTION	QTY.
1	BWA19215	MAINFRAME SUB ASSY	1
2	BW19230	LEFT LIFT ARM	1
3	BW19240	RIGHT LIFT ARM	1
4	BW18005	SPLINE CAP HB25	2
5	XAD081312	1/2-13 X 1 1/2 FHSCS	2
6	BWA19290	LIFT PLATE SUB ASSY	1
7	XDH081300	1/2-13 FLANGED NUT	10
8	XAE081312	1/2-13 X 1 1/2 FLANGED HHCS	10
9	BWA19280	SLIDE SUB ASSY	1
10	BW19250	SLIDE LINK	2
11	BW99108	1/2" SPHERICAL BEARING	4



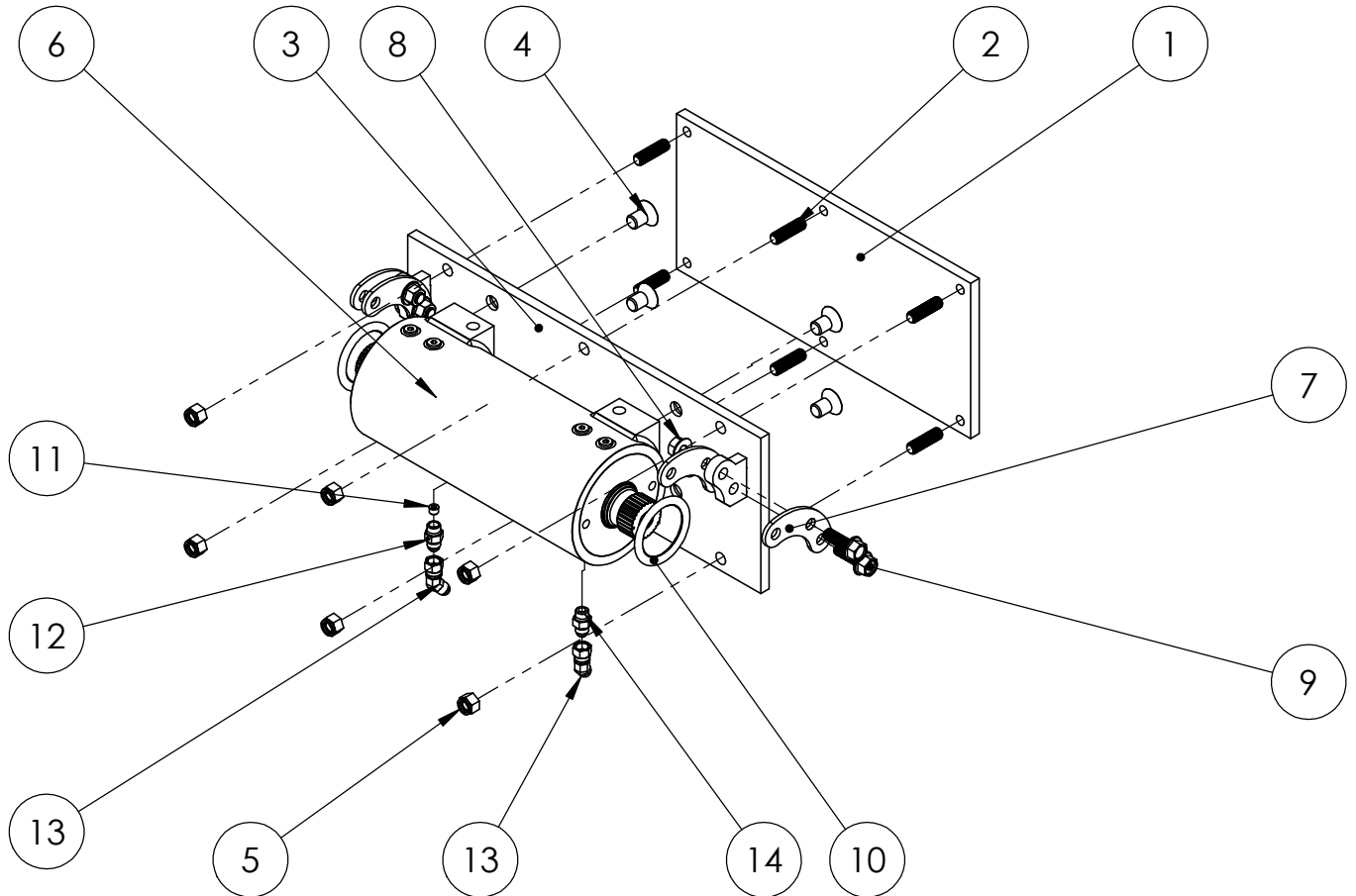
DO NOT SCALE DRAWING		HB27-7039 LIFT UNIT	
UNLESS OTHERWISE SPECIFIED: DIMENSIONS ARE IN INCHES TOLERANCES: FRACTIONAL ±1/32 ANGULAR: MACH ±1° BEND ±1° TWO PLACE DECIMAL ±0.010 THREE PLACE DECIMAL ±0.005		DRAWING NO BU19039	REV 00
SCALE: 1:6	WEIGHT: 210.092 #	SHEET 1 OF 1	



BARKER PRODUCTS
1310 MILLER ROAD
GREENVILLE, SC
29607

DRAWN BY: R WYMAN
DATE: 2/20/2020
MATERIAL: NOTED

ITEM NO.	PART NUMBER	DESCRIPTION	QTY.
1	BW17525	MOUNT PLATE - N	1
2	BW07140	PLATE STUD	6
3	BW19215	MAINFRAME	1
4	XAD101108	5/8-11 X 1 FHSCS	4
5	XDC082000	1/2-20 NYLOK NUT	6
6	BW18300	ACTUATOR	1
7	BW19260	SLIDE LINK PIVOT CAP	4
8	XDH081300	1/2-13 FLANGED NUT	4
9	XAE081312	1/2-13 X 1 1/2 FLANGED HHCS	4
10	BW18002	O-RING GREASE SEAL	2
11	BV00025	116 X 1/8 NPT ORIFICE PLUG	1
12	BV00064	6T X 6S ORIFICE FITTING	1
13	BR04842	6502-06-06 MJ-FJS 45 DEG	2
14	BR03830	6400-06-06 M TUBE O-RING	1

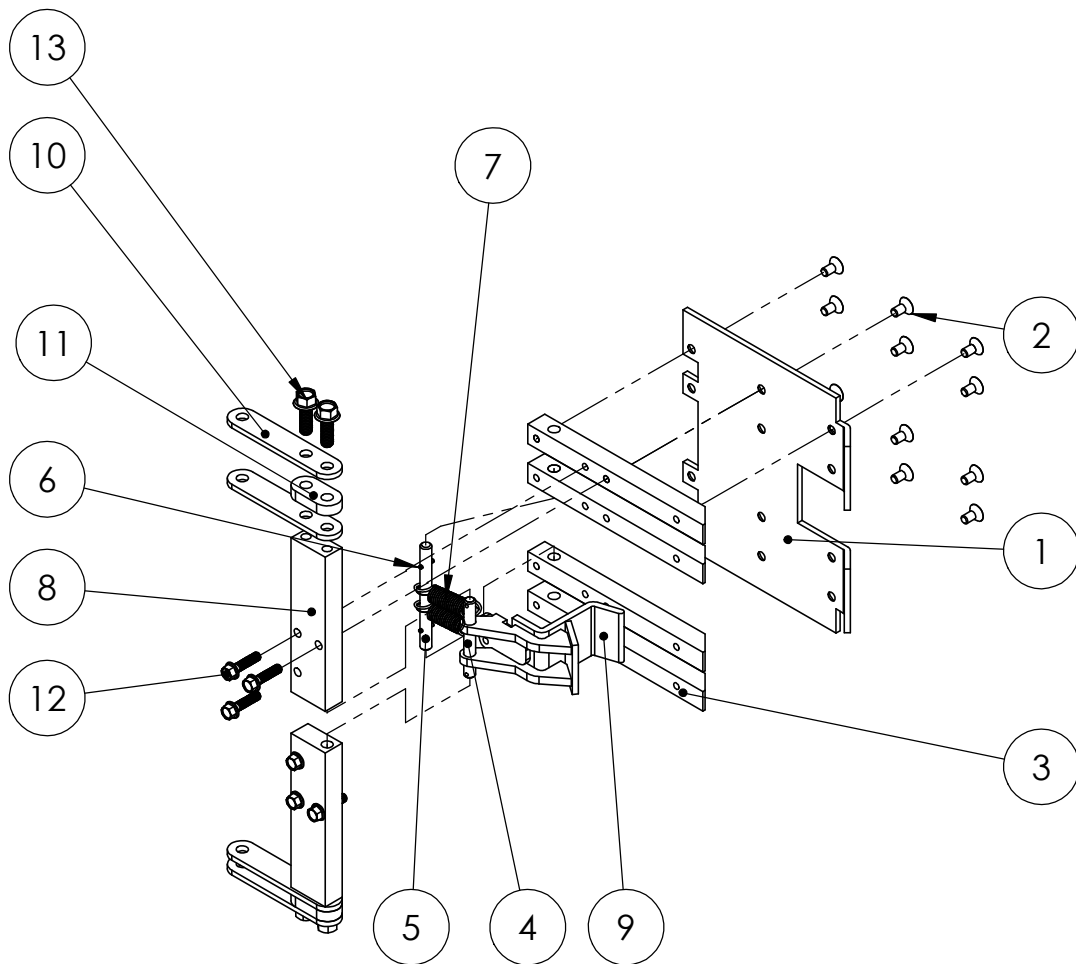


DO NOT SCALE DRAWING		MAINFRAME SUB ASSY	
UNLESS OTHERWISE SPECIFIED: DIMENSIONS ARE IN INCHES TOLERANCES: FRACTIONAL $\pm 1/32$ ANGULAR: MACH $\pm 1^\circ$ BEND $\pm 1^\circ$ TWO PLACE DECIMAL ± 0.010 THREE PLACE DECIMAL ± 0.005		HB27-7039	
DRAWN BY: R WYMAN		DRAWING NO BWA19215	
DATE: 2/20/2020		REV 00	
MATERIAL: NOTED		SCALE: 1:8	WEIGHT: 124.668 # SHEET 1 OF 1



BARKER PRODUCTS
1310 MILLER ROAD
GREENVILLE, SC
29607

ITEM NO.	PART NUMBER	DESCRIPTION	QTY.
1	BW10230	SLIDE PLATE	1
2	XAD061606	3/8-16 X 3/4 FHSCS	12
3	BW10240	SLIDE SUPPORT	4
4	BW10100	HOOK SHAFT	1
5	BW10110	SPRING SHAFT	1
6	BW02125	5/32 X 3/4 SPRING PIN	2
7	BW10120	HOOK SPRING	2
8	BW19285	SLIDE DRIVE	2
9	BW10680	LOWER HOOK	1
10	BW19286	SLIDE DRIVE EXTENSION	4
11	BW19287	EXTENSION SPACER	2
12	XAE061612	3/8-16 X 1 FLANGED HHCS	6
13	XAE081312	1/2-13 X 1 1/2 FLANGED HHCS	4



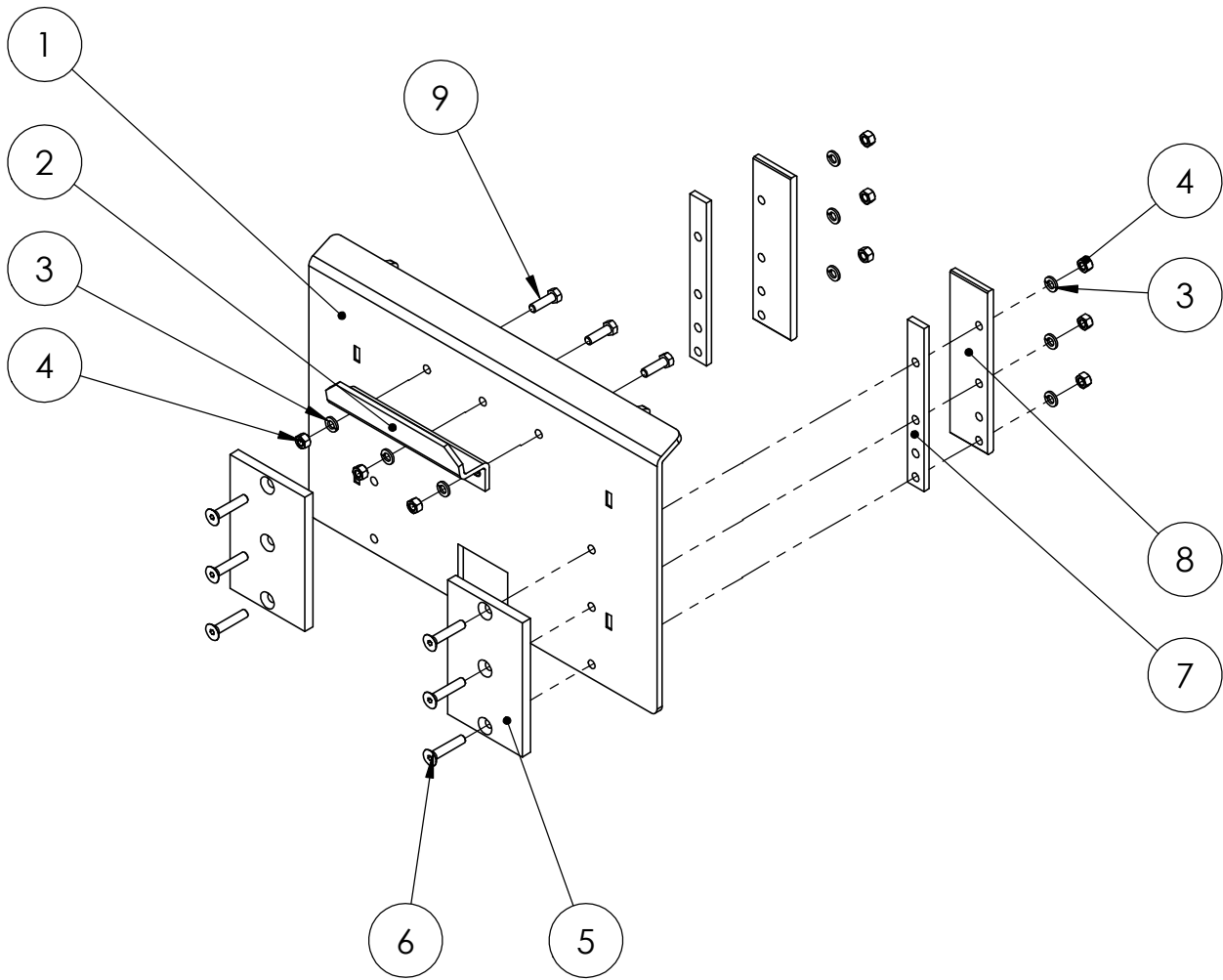
DO NOT SCALE DRAWING		SLIDE SUB ASSY BU19039	
UNLESS OTHERWISE SPECIFIED: DIMENSIONS ARE IN INCHES TOLERANCES: FRACTIONAL ±1/32 ANGULAR: MACH ±1° BEND ±1° TWO PLACE DECIMAL ±0.010 THREE PLACE DECIMAL ±0.005		DRAWING NO BWA19280	REV 00
SCALE: 1:8	WEIGHT: 32.630 #	SHEET 1 OF 1	



BARKER PRODUCTS
1310 MILLER ROAD
GREENVILLE, SC
29607

DRAWN BY: R WYMAN
DATE: 4/3/2020
MATERIAL: NOTED

ITEM NO.	PART NUMBER	DESCRIPTION	QTY.
1	BW19290	LIFT PLATE	1
2	BW00800	SADDLE	1
3	XEB061000	3/8 LOCKWASHER	9
4	XDA061600	3/8-16 HEX NUT	9
5	BW10675	CAN SUPPORT	2
6	XAD061616	3/8-16 X 2 FSHCS	6
7	BW19110	SLIDE SPACER	2
8	BW19100	SLIDE CAP	2
9	XAA061610	3/8-16 X 1 1/4 HHCS	3



BARKER PRODUCTS
1310 MILLER ROAD
GREENVILLE, SC
29607

DRAWN BY: R WYMAN
DATE: 2/20/2020
MATERIAL: NOTED

DO NOT SCALE
DRAWING
UNLESS OTHERWISE SPECIFIED:
DIMENSIONS ARE IN INCHES
TOLERANCES:
FRACTIONAL ±1/32
ANGULAR: MACH ±1° BEND ±1°
TWO PLACE DECIMAL ±0.010
THREE PLACE DECIMAL ±0.005

LIFT PLATE SUB ASSY

DRAWING NO
BWA19290

REV
00

SCALE: 1:8

WEIGHT: 38.784 #

SHEET 1 OF 1