



**BP Lifts**  
By Barker Products  
1310 Miller Road, Greenville, SC 29607

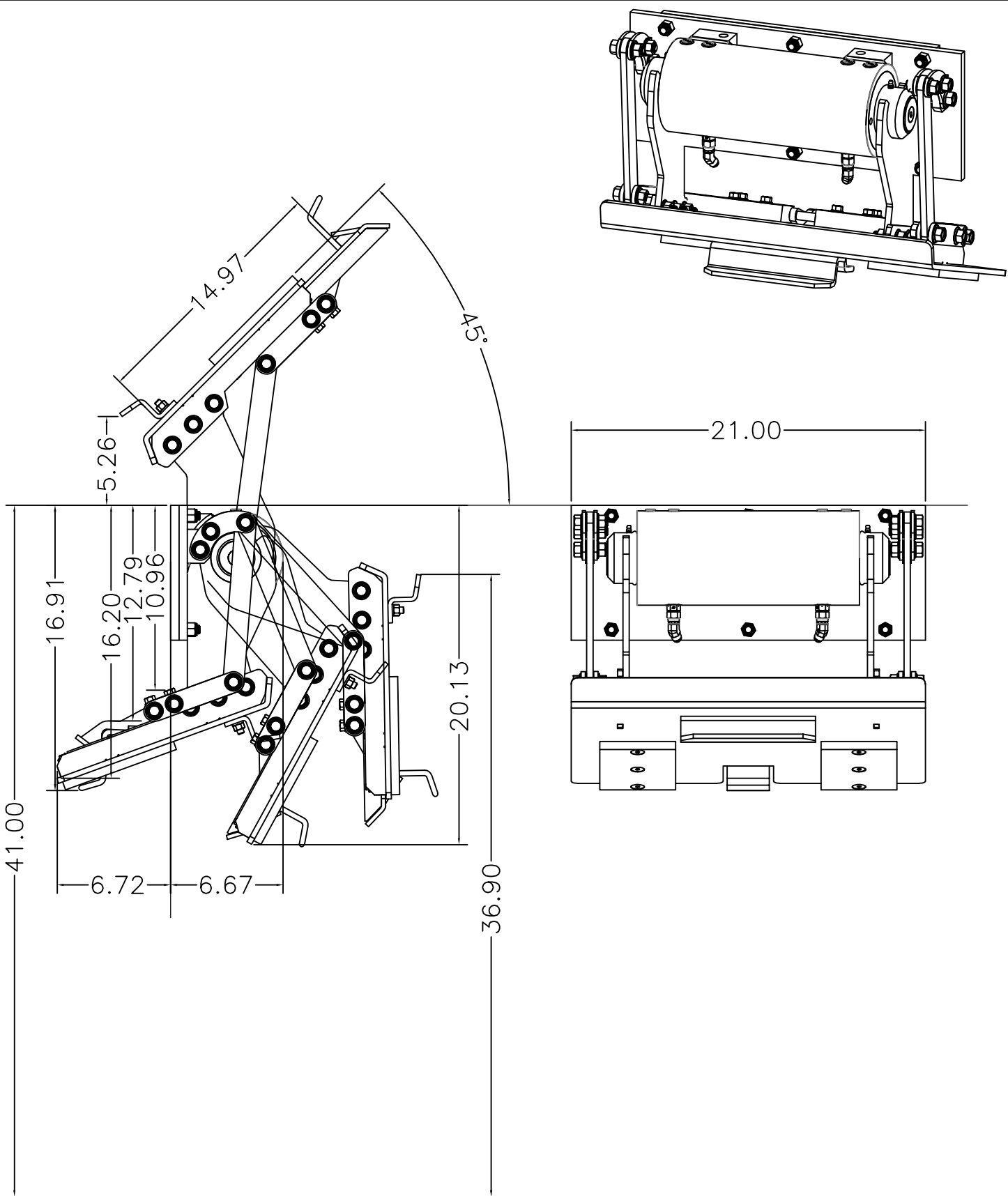


# ***Model HB27-7041 Lift***

Part # BU19041



- Dependable Smooth Acting 27K Helical Rotary Actuator
- Splined Shafts To Eliminate Arm Movement And Wear
- 45 Degree Dump Angle
- No Grease Points
- EZ Bolt On Kit Standard
- Meets ANSI Z245 Type B Specs
- Lifts All Standard American 2 Bar Carts
- Liftplate Arc Motion Makes Cart Attachment Fast And Easy On Unlevel Highway Conditions
- Double Wide Mounting Plate Available. Increases Hopper Height To Decrease Packing Cycles
- 39 to 41 Inch Mounting Height
- 23 1/8 to 25 1/8 Inch Ground Clearance
- Use on Rear Loaders with or without kick bars



BARKER PRODUCTS  
 1310 MILLER ROAD  
 GREENVILLE, SC  
 29607

DRAWN BY: R WYMAN

DATE: 4/1/2020

MATERIAL: NOTED

DO NOT SCALE  
 DRAWING  
 UNLESS OTHERWISE SPECIFIED:  
 DIMENSIONS ARE IN INCHES  
 TOLERANCES:  
 FRACTIONAL ±1/32  
 ANGULAR: MACH ±1° BEND ±1°  
 TWO PLACE DECIMAL ±0.010  
 THREE PLACE DECIMAL ±0.005

HB27-7041 LIFT UNIT

DRAWING NO  
 BU19041

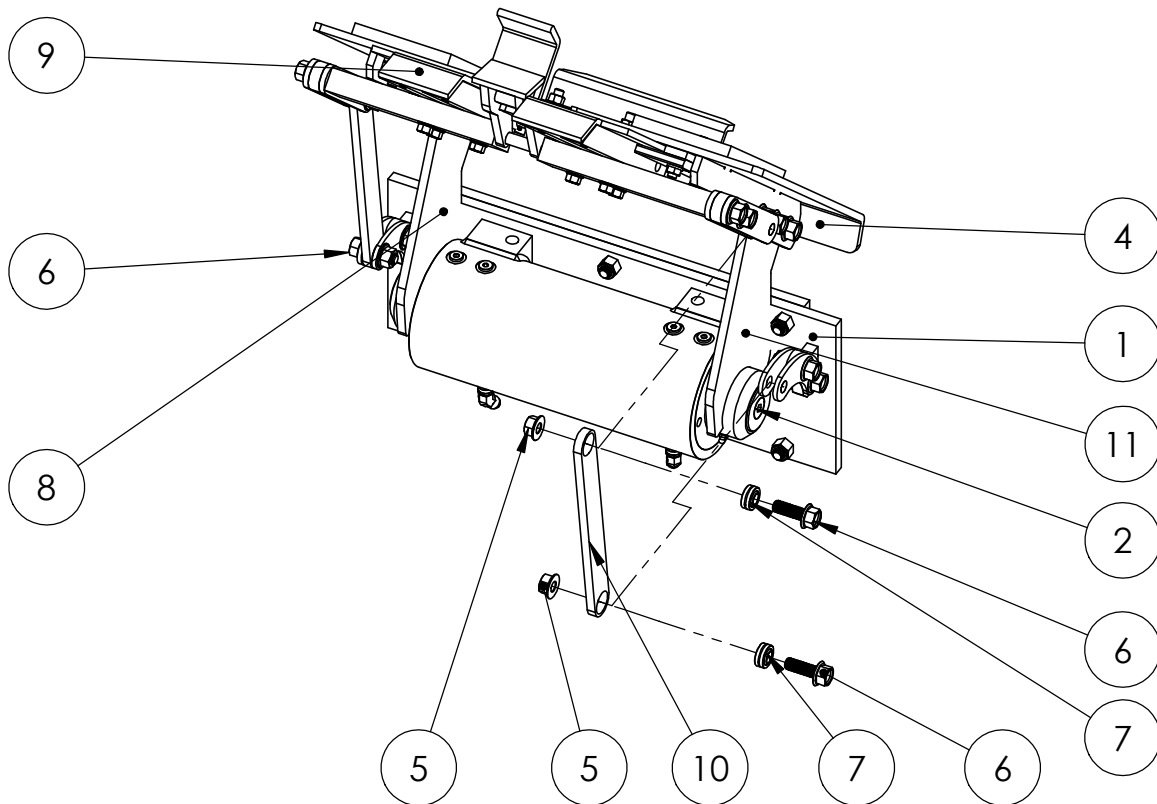
REV  
 00

SCALE: 1:8

WEIGHT: 212.200 #

SHEET 1 OF 1

ITEM NO.	PART NUMBER	DESCRIPTION	QTY.
1	BWA19215	MAINFRAME SUB ASSY	1
2	BW18005	SPLINE CAP HB25	2
3	XAD081312	1/2-13 X 1 1/2 FHSCS	2
4	BWA19290	LIFT PLATE SUB ASSY	1
5	XDH081300	1/2-13 FLANGED NUT	10
6	XAE081312	1/2-13 X 1 1/2 FLANGED HHCS	10
7	BW99108	1/2" SPHERICAL BEARING	4
8	BW19231	LEFT LIFT ARM BU19041	1
9	BWA19280	SLIDE SUB ASSY	1
10	BW19251	SLIDE LINK	2
11	BW19241	RIGHT LIFT ARM BU19041	1



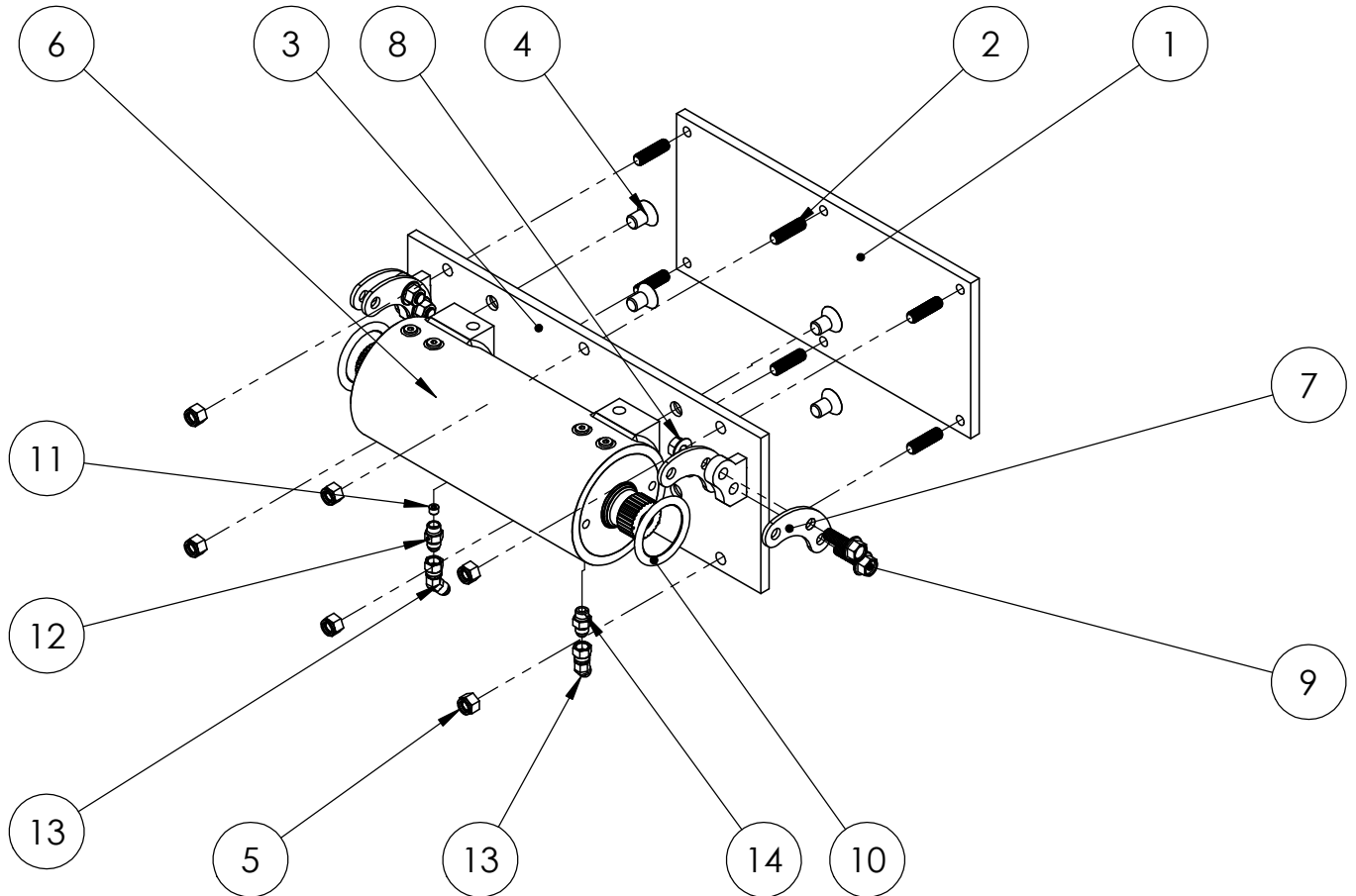
DO NOT SCALE DRAWING		HB27-7041 LIFT UNIT PARTS BREAKDOWN	
UNLESS OTHERWISE SPECIFIED: DIMENSIONS ARE IN INCHES TOLERANCES: FRACTIONAL ±1/32 ANGULAR: MACH ±1° BEND ±1° TWO PLACE DECIMAL ±0.010 THREE PLACE DECIMAL ±0.005		DRAWING NO BU19041	REV 00
MATERIAL: NOTED		SCALE: 1:8	WEIGHT: 212.200 # SHEET 1 OF 1



**BARKER PRODUCTS**  
1310 MILLER ROAD  
GREENVILLE, SC  
29607

DRAWN BY: R WYMAN  
DATE: 4/2/2020  
MATERIAL: NOTED

ITEM NO.	PART NUMBER	DESCRIPTION	QTY.
1	BW17525	MOUNT PLATE - N	1
2	BW07140	PLATE STUD	6
3	BW19215	MAINFRAME	1
4	XAD101108	5/8-11 X 1 FHSCS	4
5	XDC082000	1/2-20 NYLOK NUT	6
6	BW18300	ACTUATOR	1
7	BW19260	SLIDE LINK PIVOT CAP	4
8	XDH081300	1/2-13 FLANGED NUT	4
9	XAE081312	1/2-13 X 1 1/2 FLANGED HHCS	4
10	BW18002	O-RING GREASE SEAL	2
11	BV00025	116 X 1/8 NPT ORIFICE PLUG	1
12	BV00064	6T X 6S ORIFICE FITTING	1
13	BR04842	6502-06-06 MJ-FJS 45 DEG	2
14	BR03830	6400-06-06 M TUBE O-RING	1

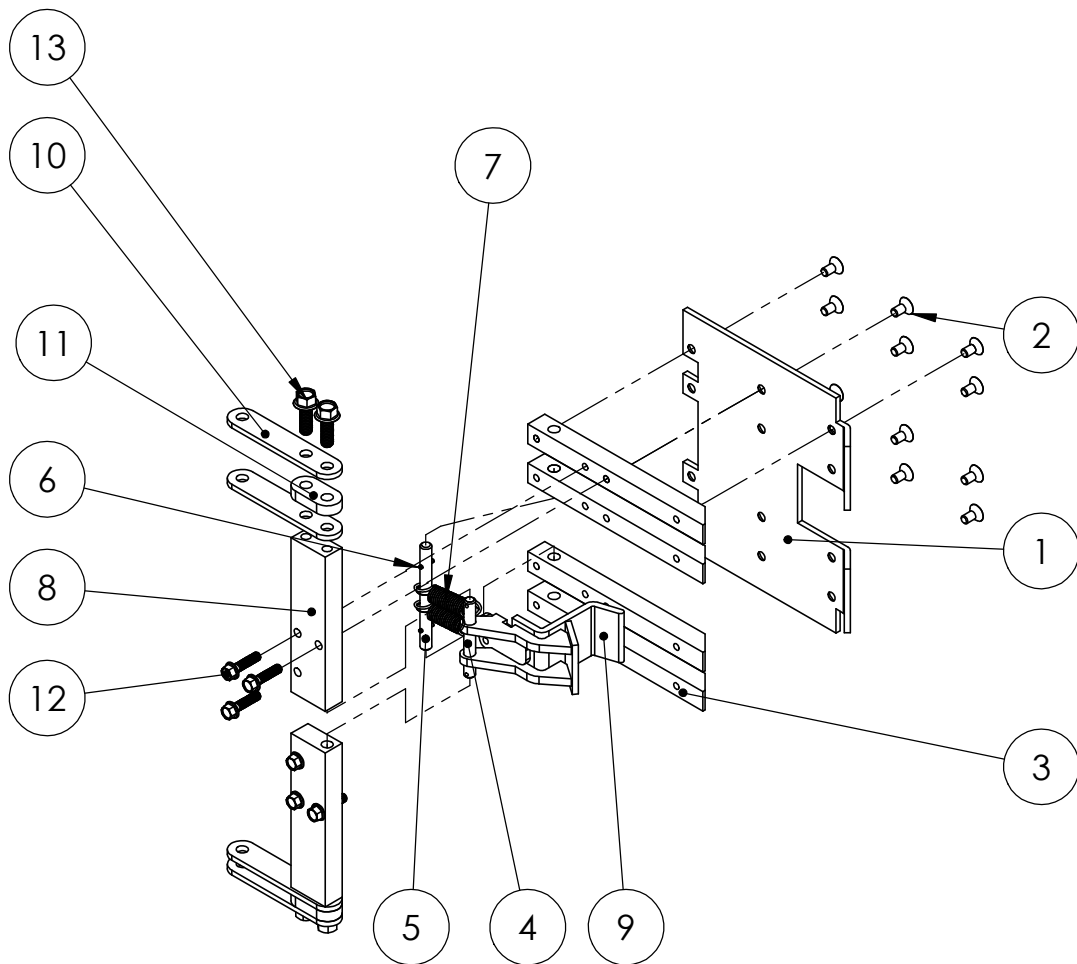


DO NOT SCALE DRAWING		MAINFRAME SUB ASSY	
UNLESS OTHERWISE SPECIFIED: DIMENSIONS ARE IN INCHES TOLERANCES: FRACTIONAL ±1/32 ANGULAR: MACH ±1° BEND ±1° TWO PLACE DECIMAL ±0.010 THREE PLACE DECIMAL ±0.005		HB27-7039	
DRAWN BY: R WYMAN		DRAWING NO BWA19215	
DATE: 2/20/2020		REV 00	
MATERIAL: NOTED		SCALE: 1:8	WEIGHT: 124.668 # SHEET 1 OF 1



**BARKER PRODUCTS**  
1310 MILLER ROAD  
GREENVILLE, SC  
29607

ITEM NO.	PART NUMBER	DESCRIPTION	QTY.
1	BW10230	SLIDE PLATE	1
2	XAD061606	3/8-16 X 3/4 FHSCS	12
3	BW10240	SLIDE SUPPORT	4
4	BW10100	HOOK SHAFT	1
5	BW10110	SPRING SHAFT	1
6	BW02125	5/32 X 3/4 SPRING PIN	2
7	BW10120	HOOK SPRING	2
8	BW19285	SLIDE DRIVE	2
9	BW10680	LOWER HOOK	1
10	BW19286	SLIDE DRIVE EXTENSION	4
11	BW19287	EXTENSION SPACER	2
12	XAE061612	3/8-16 X 1 FLANGED HHCS	6
13	XAE081312	1/2-13 X 1 1/2 FLANGED HHCS	4



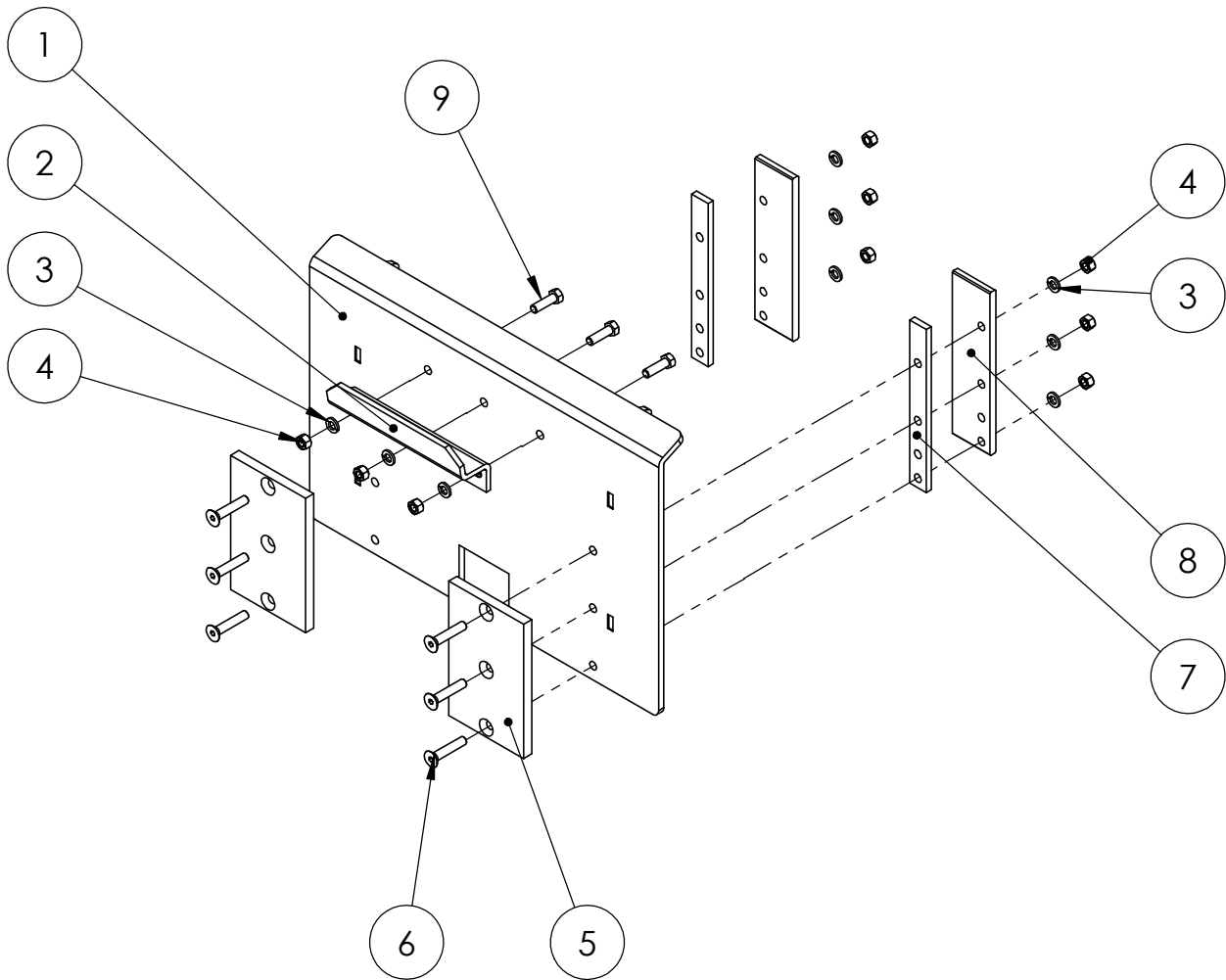
DO NOT SCALE DRAWING		SLIDE SUB ASSY BU19039	
UNLESS OTHERWISE SPECIFIED: DIMENSIONS ARE IN INCHES TOLERANCES: FRACTIONAL ±1/32 ANGULAR: MACH ±1° BEND ±1° TWO PLACE DECIMAL ±0.010 THREE PLACE DECIMAL ±0.005		DRAWING NO BWA19280	REV 00
SCALE: 1:8	WEIGHT: 32.630 #	SHEET 1 OF 1	



**BARKER PRODUCTS**  
1310 MILLER ROAD  
GREENVILLE, SC  
29607

DRAWN BY: R WYMAN  
DATE: 4/3/2020  
MATERIAL: NOTED

ITEM NO.	PART NUMBER	DESCRIPTION	QTY.
1	BW19290	LIFT PLATE	1
2	BW00800	SADDLE	1
3	XEB061000	3/8 LOCKWASHER	9
4	XDA061600	3/8-16 HEX NUT	9
5	BW10675	CAN SUPPORT	2
6	XAD061616	3/8-16 X 2 FSHCS	6
7	BW19110	SLIDE SPACER	2
8	BW19100	SLIDE CAP	2
9	XAA061610	3/8-16 X 1 1/4 HHCS	3



**BARKER PRODUCTS**  
**1310 MILLER ROAD**  
**GREENVILLE, SC**  
**29607**

DRAWN BY: R WYMAN  
DATE: 2/20/2020  
MATERIAL: NOTED

DO NOT SCALE  
DRAWING  
UNLESS OTHERWISE SPECIFIED:  
DIMENSIONS ARE IN INCHES  
TOLERANCES:  
FRACTIONAL ±1/32  
ANGULAR: MACH ±1° BEND ±1°  
TWO PLACE DECIMAL ±0.010  
THREE PLACE DECIMAL ±0.005

LIFT PLATE SUB ASSY  
DRAWING NO  
BWA19290  
SCALE: 1:8  
WEIGHT: 38.784 #  
REV  
00  
SHEET 1 OF 1