



BP Lifts
By Barker Products
1310 Miller Road, Greenville, SC 29607

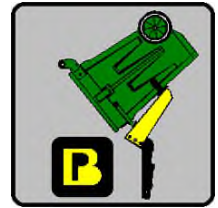
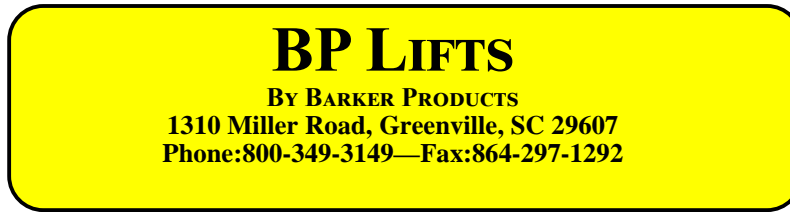


Model HB27-7041 Lift

Part # BU19141



- Dependable Smooth Acting 27K Helical Rotary Actuator
- Splined Shafts To Eliminate Arm Movement And Wear
- 45 Degree Dump Angle
- No Grease Points
- EZ Bolt On Kit Standard
- Meets ANSI Z245 Type B Specs
- Lifts All Standard American 2 Bar Carts
- Liftplate Arc Motion Makes Cart Attachment Fast And Easy On Unlevel Highway Conditions
- Double Wide Mounting Plate Available. Increases Hopper Height To Decrease Packing Cycles
- 40 to 44 Inch Mounting Height
- 22 to 26 Inch Ground Clearance
- Use on Rear Loaders with or without kick bars



BPHB27-19XXX SERIES LIFT UNIT WARRANTY

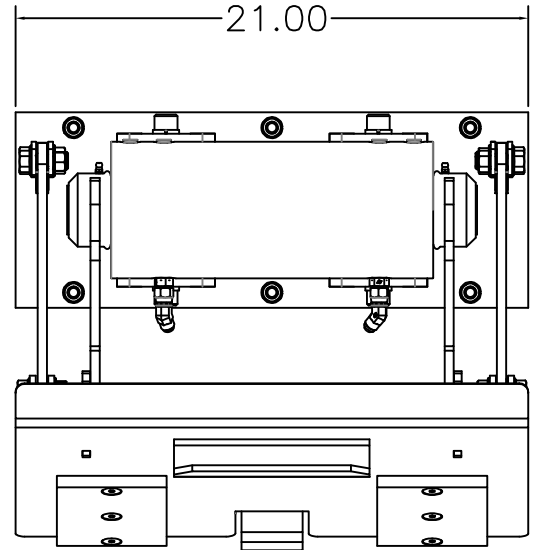
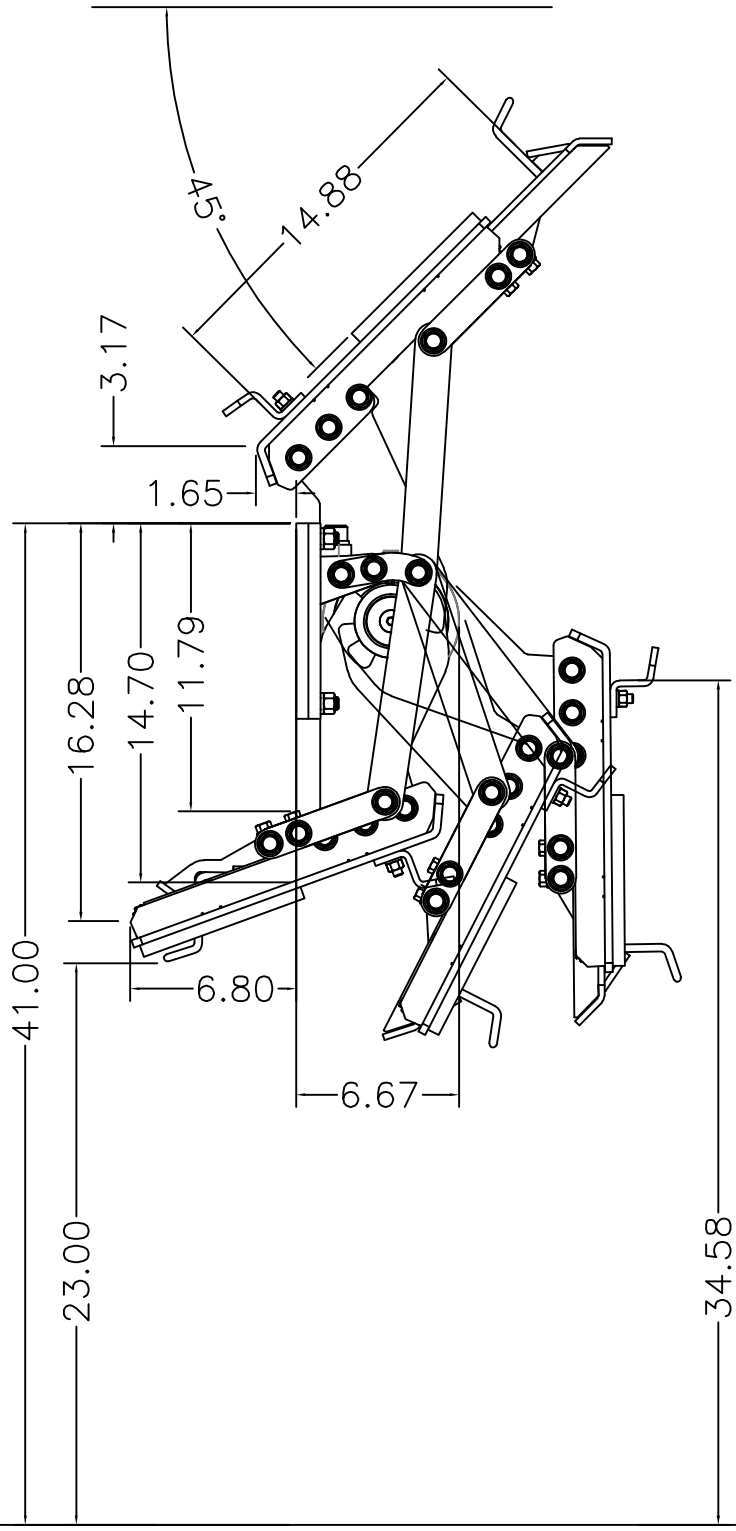
Barker Products warrants each new dump unit to be free of defects in material and workmanship under normal use and service for a period of 1 year or 2000 hours of operation, whichever comes first, from the date of delivery.

This warranty excludes any obligations by BARKER PRODUCTS for the cost of down time. BARKER PRODUCTS will not warranty any dump unit which has been subject to misuse, neglect, alteration, or damaged by an accident.

On any work not performed by BARKER PRODUCTS or it's representative, the customer will be responsible for freight charges on all parts shipped under warranty. Parts will be invoiced at time of shipment. Defective parts must be returned to BARKER PRODUCTS within 30 days. If the part is determined to be defective the customer will be credited for the original invoice.

Customer warranty labor charges must be approved by BARKER PRODUCTS in advance. If not contacted for approval, BARKER PRODUCTS will not be liable for the warranty labor charge.

Limit hydraulic input pressure to 1700 PSI



GROUND LEVEL



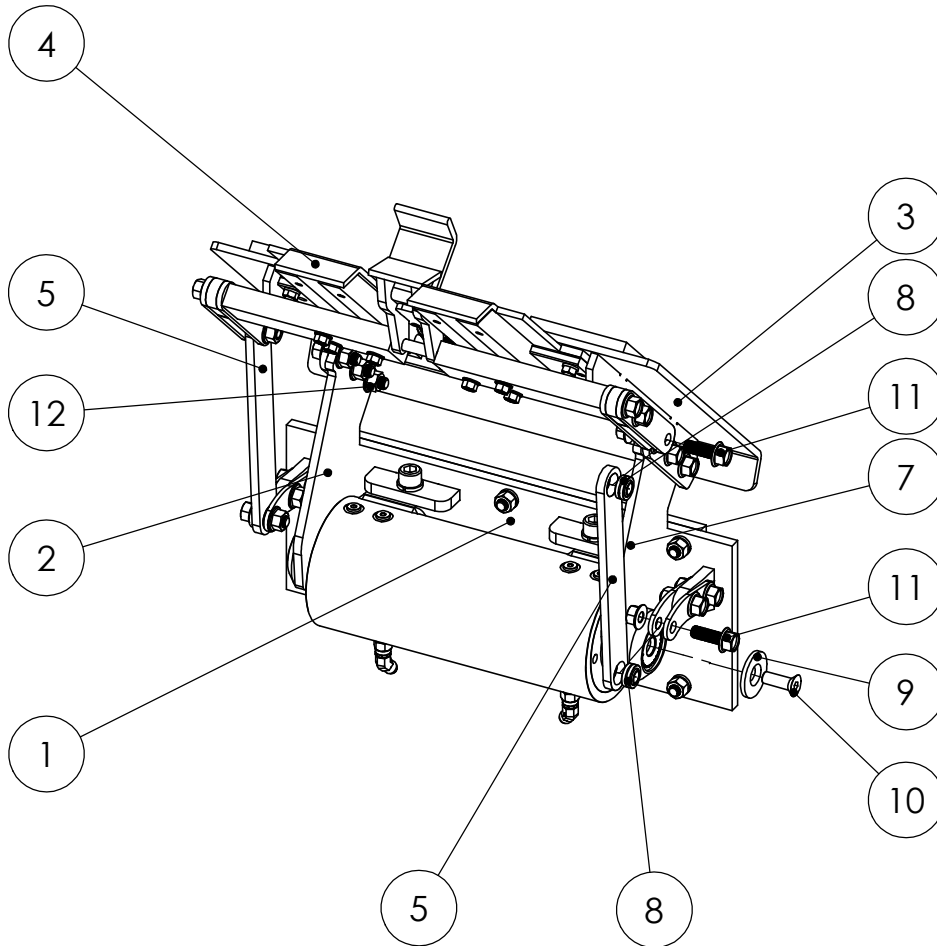
BARKER PRODUCTS
1310 MILLER ROAD
GREENVILLE, SC
29607

DRAWN BY: R WYMAN
DATE: 10/2/2020
MATERIAL: NOTED

DO NOT SCALE
DRAWING
UNLESS OTHERWISE SPECIFIED
DIMENSIONS ARE IN INCHES
TOLERANCES:
FRACTIONAL ±1/32
ANGULAR: MACH ±1° BEND ±1°
TWO PLACE DECIMAL ±0.010
THREE PLACE DECIMAL ±0.005

HB27-7041		REV 00
MODEL BPHB27-7041		
DRAWING NO BU19141 ENVELOPE		SHEET 1 OF 1
SCALE: 1:8	WEIGHT: 215.537 #	

ITEM NO.	PART NUMBER	DESCRIPTION	QTY.
1	BWA19015 PARTS	MAINFRAME SUB ASSY PARTS	1
2	BW19231	LEFT LIFT ARM BU19041	1
3	BWA19290	LIFT PLATE SUB ASSY	1
4	BWA19280	SLIDE SUB ASSY	1
5	BW19251	SLIDE LINK	2
6	BW18050	SL PIVOT CAP	2
7	BW19241	RIGHT LIFT ARM BU19041	1
8	BW99108	1/2" SPHERICAL BEARING	4
9	BW18005	SPLINE CAP HB25	2
10	XAD081312	1/2-13 X 1 1/2 SHCS	2
11	XAE081312	1/2-13 X 1 1/2 FLANGED HHCS	10
12	XDH081300	1/2-13 FLANGED NUT	10



BARKER PRODUCTS
1310 MILLER ROAD
GREENVILLE, SC
29607

DRAWN BY: R WYMAN
DATE: 10/12/2020
MATERIAL: NOTED

DO NOT SCALE
DRAWING
UNLESS OTHERWISE SPECIFIED:
DIMENSIONS ARE IN INCHES
TOLERANCES:
FRACTIONAL ±1/32
ANGULAR: MACH ±1° BEND ±1°
TWO PLACE DECIMAL ±0.010
THREE PLACE DECIMAL ±0.005

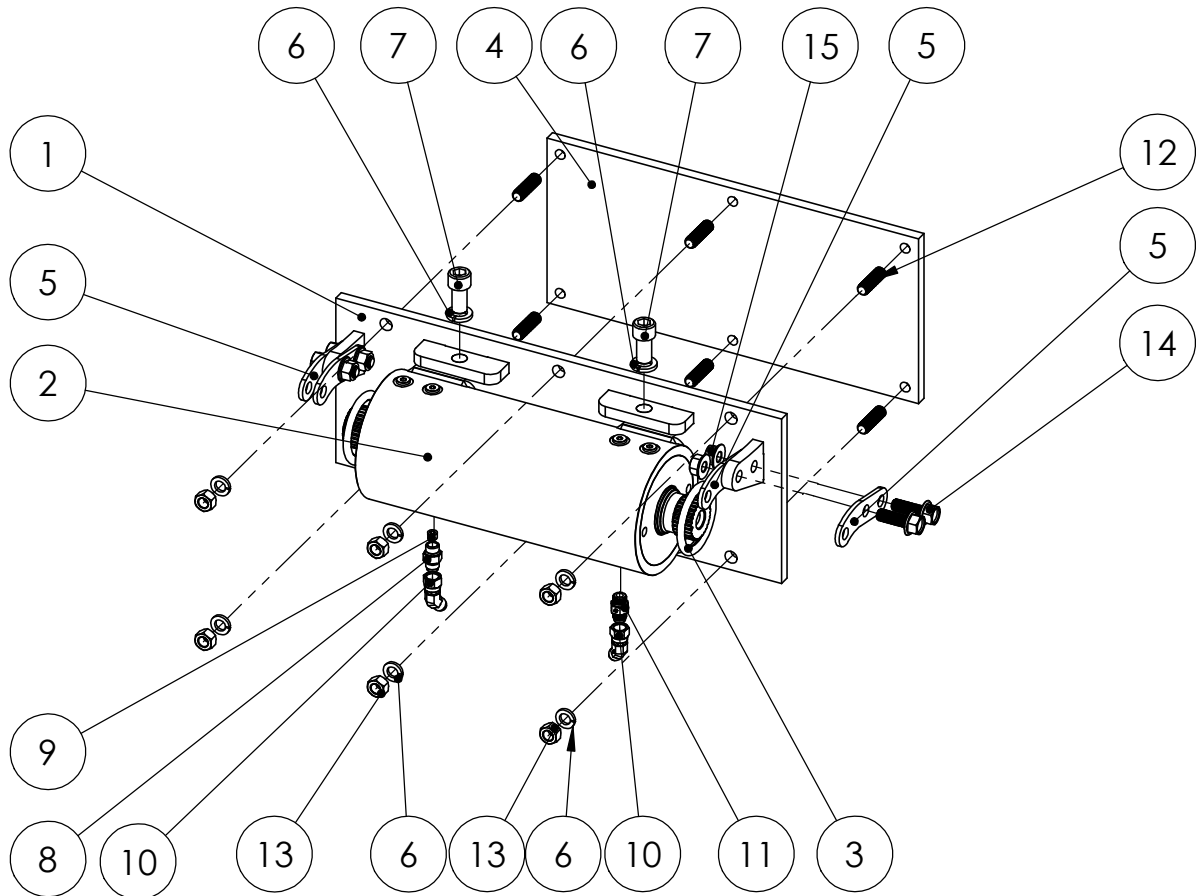
HB27-7041
MODEL BPHB27-7041

DRAWING NO.
BU19141 PARTS

REV
00

SCALE: 1:8 WEIGHT: 215.529 # SHEET 1 OF 1

ITEM NO.	PART NUMBER	DESCRIPTION	QTY.
1	BW19015	MAINFRAME	1
2	BW18300	ACTUATOR	1
3	BW18002	O-RING GREASE SEAL	2
4	BW17525	MOUNT PLATE - N	1
5	BW18050	SL PIVOT CAP	4
6	XEB081000	1/2 LOCKWASHER	10
7	XAB101110	5/8-11 X 1 1/4 SHCS	4
8	BV00064	6T X 6S ORIFICE FITTING	1
9	BV00025	116 X 1/8 NPT ORIFICE PLUG	1
10	BR04842	6502-06-06 MJ-FJS 45 DEG	2
11	BR03830	6400-06-06 M TUBE O-RING	1
12	BW07140	PLATE STUD	6
13	XDA082000	1/2-20 HEX NUT	6
14	XAE081312	1/2-13 X 1 1/2 FLANGED HHCS	4
15	XDH081300	1/2-13 FLANGED NUT	4



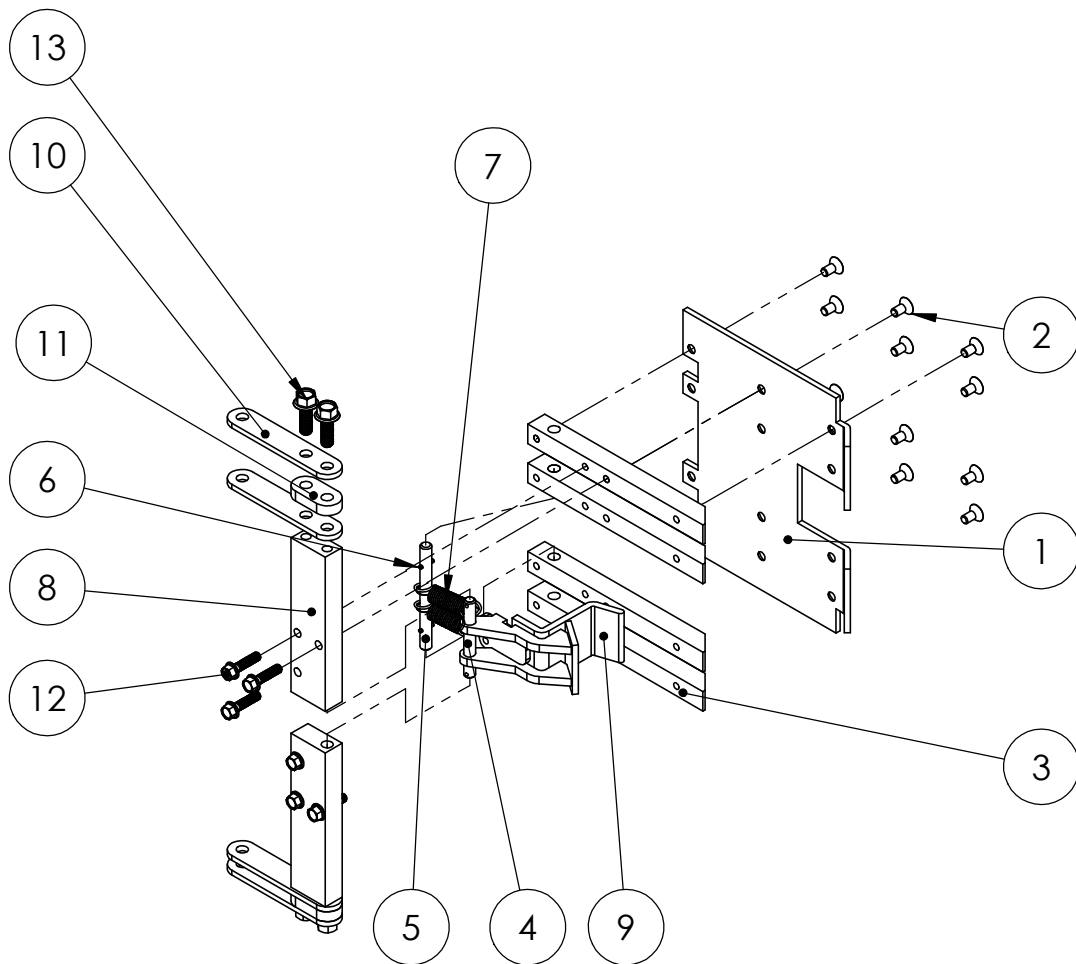
DO NOT SCALE DRAWING		MAINFRAME SUB ASSY	
UNLESS OTHERWISE SPECIFIED: DIMENSIONS ARE IN INCHES TOLERANCES: FRACTIONAL $\pm 1/32$ ANGULAR: MACH $\pm 1^\circ$ BEND $\pm 1^\circ$ TWO PLACE DECIMAL ± 0.010 THREE PLACE DECIMAL ± 0.005		DRAWING NO BWA19015 PARTS	
		REV 00	
MATERIAL: NOTED		SCALE: 1:8	WEIGHT: 126.989 # SHEET 1 OF 1



BARKER PRODUCTS
 1310 MILLER ROAD
 GREENVILLE, SC
 29607

DRAWN BY: R WYMAN
 DATE: 10/12/2020
 MATERIAL: NOTED

ITEM NO.	PART NUMBER	DESCRIPTION	QTY.
1	BW10230	SLIDE PLATE	1
2	XAD061606	3/8-16 X 3/4 FHSCS	12
3	BW10240	SLIDE SUPPORT	4
4	BW10100	HOOK SHAFT	1
5	BW10110	SPRING SHAFT	1
6	BW02125	5/32 X 3/4 SPRING PIN	2
7	BW10120	HOOK SPRING	2
8	BW19285	SLIDE DRIVE	2
9	BW10680	LOWER HOOK	1
10	BW19286	SLIDE DRIVE EXTENSION	4
11	BW19287	EXTENSION SPACER	2
12	XAE061612	3/8-16 X 1 FLANGED HHCS	6
13	XAE081312	1/2-13 X 1 1/2 FLANGED HHCS	4



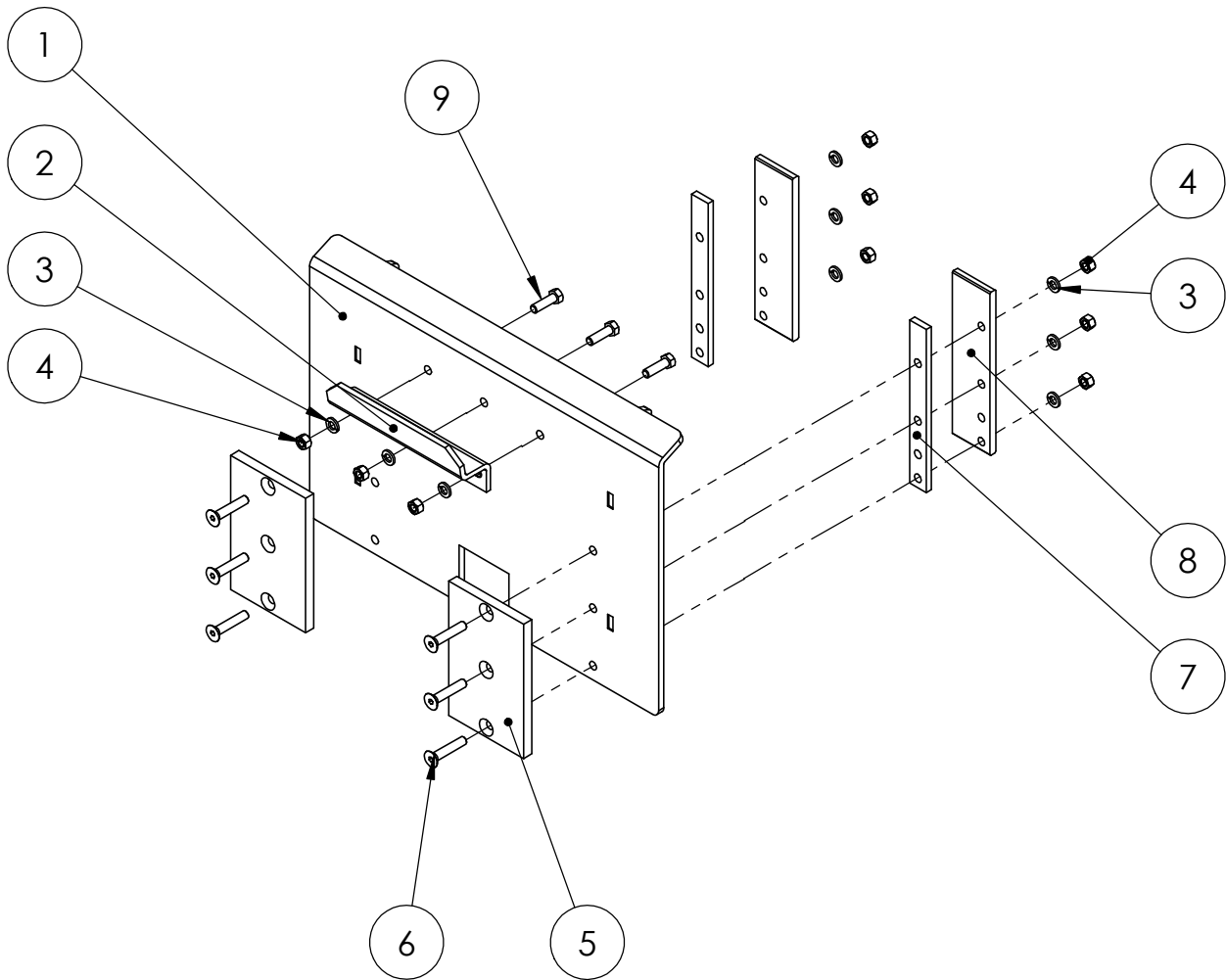
DO NOT SCALE DRAWING		SLIDE SUB ASSY BU19039	
UNLESS OTHERWISE SPECIFIED: DIMENSIONS ARE IN INCHES TOLERANCES: FRACTIONAL ±1/32 ANGULAR: MACH ±1° BEND ±1° TWO PLACE DECIMAL ±0.010 THREE PLACE DECIMAL ±0.005		DRAWING NO BWA19280	REV 00
SCALE: 1:8	WEIGHT: 32.630 #	SHEET 1 OF 1	



BARKER PRODUCTS
1310 MILLER ROAD
GREENVILLE, SC
29607

DRAWN BY: R WYMAN
DATE: 4/3/2020
MATERIAL: NOTED

ITEM NO.	PART NUMBER	DESCRIPTION	QTY.
1	BW19290	LIFT PLATE	1
2	BW00800	SADDLE	1
3	XEB061000	3/8 LOCKWASHER	9
4	XDA061600	3/8-16 HEX NUT	9
5	BW10675	CAN SUPPORT	2
6	XAD061616	3/8-16 X 2 FSHCS	6
7	BW19110	SLIDE SPACER	2
8	BW19100	SLIDE CAP	2
9	XAA061610	3/8-16 X 1 1/4 HHCS	3



BARKER PRODUCTS
1310 MILLER ROAD
GREENVILLE, SC
29607

DRAWN BY: R WYMAN
DATE: 2/20/2020
MATERIAL: NOTED

DO NOT SCALE
DRAWING
UNLESS OTHERWISE SPECIFIED:
DIMENSIONS ARE IN INCHES
TOLERANCES:
FRACTIONAL ±1/32
ANGULAR: MACH ±1° BEND ±1°
TWO PLACE DECIMAL ±0.010
THREE PLACE DECIMAL ±0.005

LIFT PLATE SUB ASSY

DRAWING NO
BWA19290

REV
00

SCALE: 1:8

WEIGHT: 38.784 #

SHEET 1 OF 1