



**BP Lifts**  
By Barker Products  
1310 Miller Road, Greenville, SC 29607

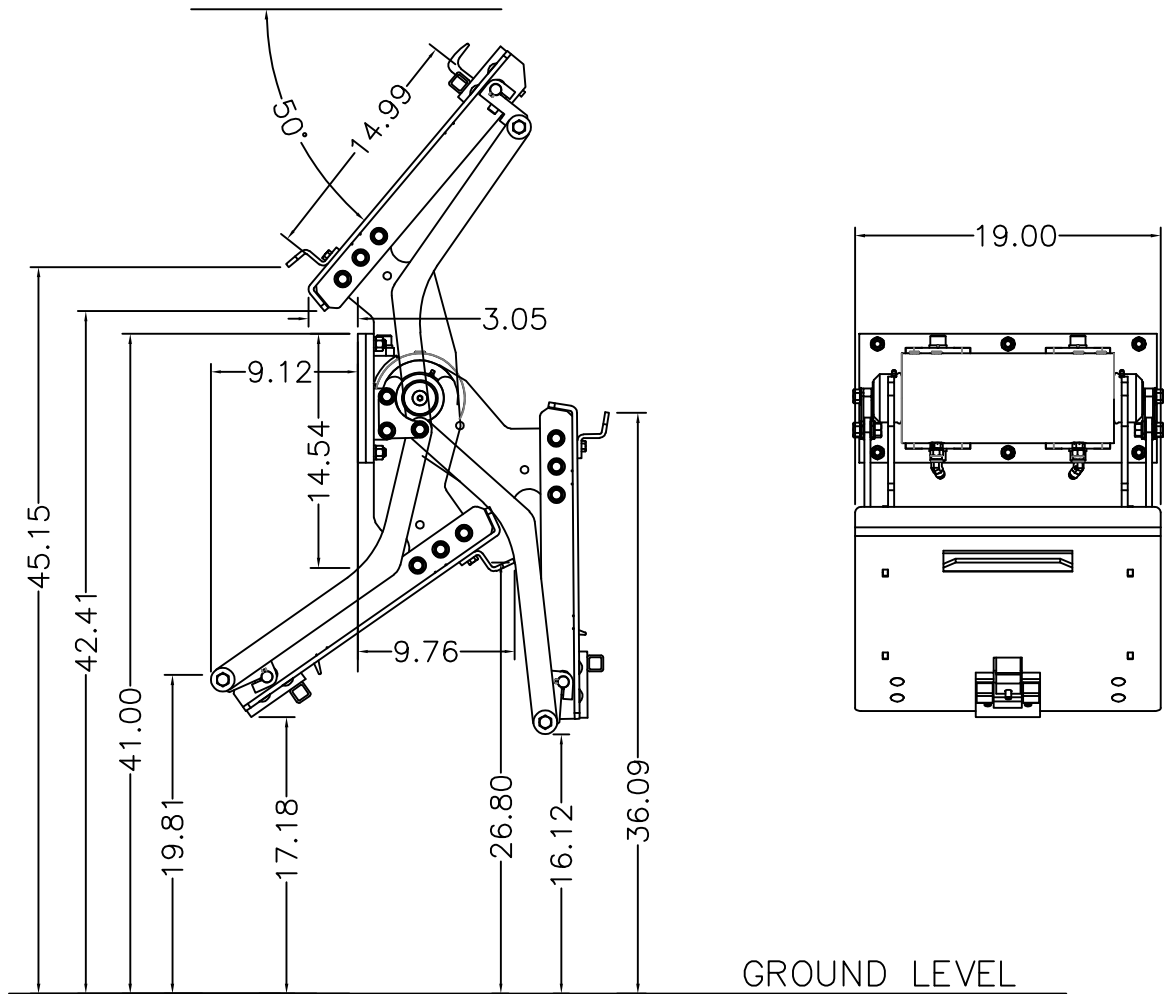


# ***Model BPH27-5541 Lift***

Part # BU19541



- Dependable Smooth Acting 27K Helical Rotary Actuator
- Splined Shafts To Eliminate Arm Movement And Wear
- 50 Degree Dump Angle
- No Grease Points
- EZ Bolt On Kit Standard
- Meets ANSI Z245 Type B Specs
- Lifts All Standard American 2 Bar Carts
- Liftplate Arc Motion Makes Cart Attachment Fast And Easy On Unlevel Highway Conditions
- Double Wide Mounting Plate Available. Increases Hopper Height To Decrease Packing Cycles
- 39 to 44 Inch Mounting Height
- 15 3/16 to 20 3/16 Inch Ground Clearance
- Use on Rear Loaders without kick bars



GROUND LEVEL



BARKER PRODUCTS  
1310 MILLER ROAD  
GREENVILLE, SC  
29607

DRAWN BY: R WYMAN

DATE: 7/16/2020

MATERIAL: NOTED

DO NOT SCALE  
DRAWING  
UNLESS OTHERWISE SPECIFIED:  
DIMENSIONS ARE IN INCHES  
TOLERANCES:  
FRACTIONAL  $\pm 1/32$   
ANGULAR: MACH  $\pm 1^\circ$  BEND  $\pm 1^\circ$   
TWO PLACE DECIMAL  $\pm 0.010$   
THREE PLACE DECIMAL  $\pm 0.005$

BPH27-5541 LIFT UNIT

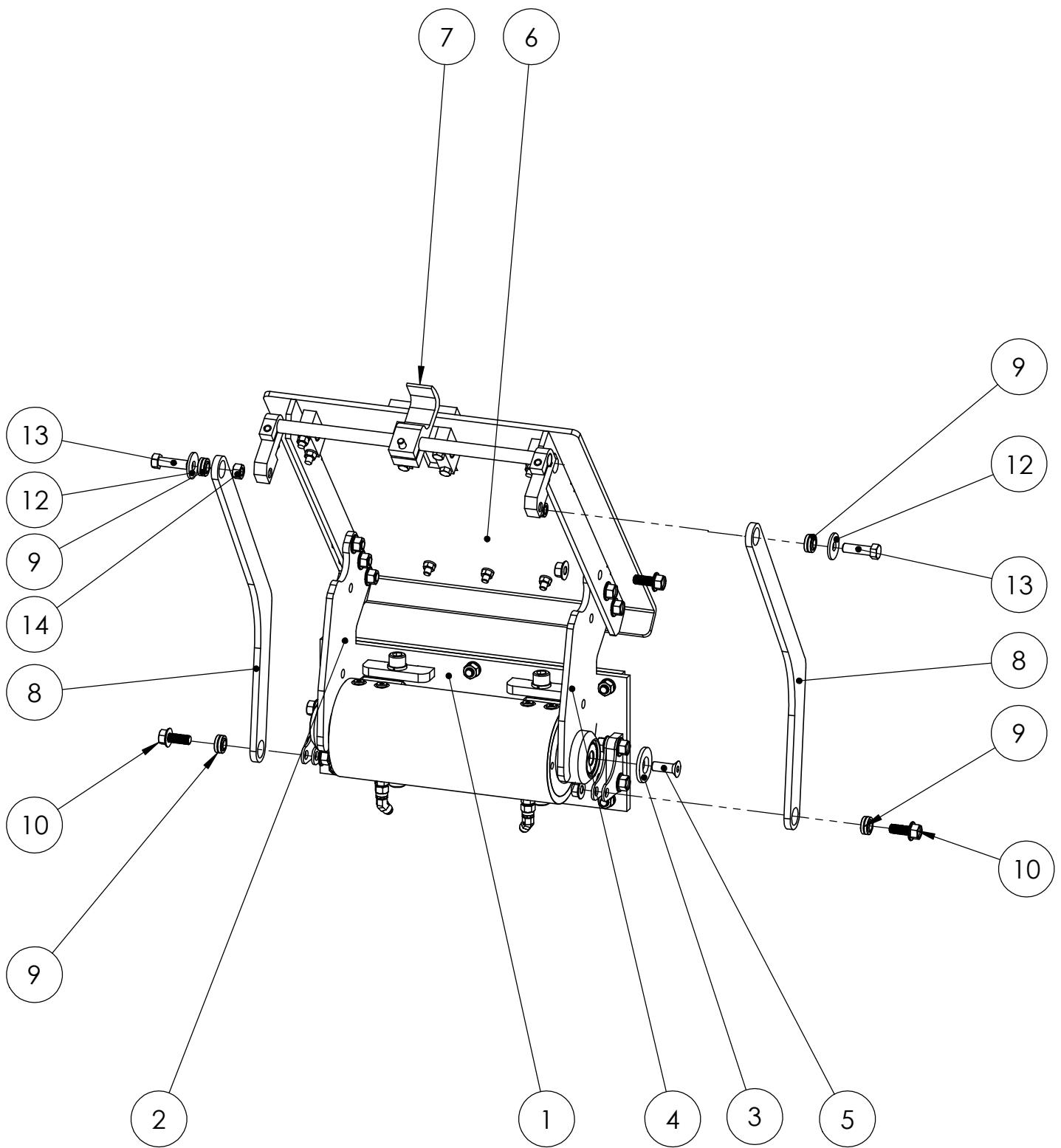
DRAWING NO  
BU19541

REV  
00

SCALE: 1:12

WEIGHT: 198.819 #

SHEET 1 OF 1



**BARKER PRODUCTS**  
 1310 MILLER ROAD  
 GREENVILLE, SC  
 29607

DRAWN BY: R WYMAN  
 DATE: 7/16/2020  
 MATERIAL: NOTED

DO NOT SCALE DRAWING		BPH27-5541 LIFT UNIT	
UNLESS OTHERWISE SPECIFIED: DIMENSIONS ARE IN INCHES TOLERANCES: FRACTIONAL $\pm 1/32$ ANGULAR: MACH $\pm 1^\circ$ BEND $\pm 1^\circ$ TWO PLACE DECIMAL $\pm 0.010$ THREE PLACE DECIMAL $\pm 0.005$		DRAWING NO BU19541 PARTS	REV 00
SCALE: 1:8	WEIGHT: 198.819 #	SHEET 1 OF 2	

ITEM NO.	PART NUMBER	DESCRIPTION	QTY.
1	BWA19535	MAINFRAME SUB ASSY	1
2	BW18130	LEFT LIFT ARM	1
3	BW18005	SPLINE CAP HB25	2
4	BW18140	RIGHT LIFT ARM	1
5	XAD081312	1/2-13 X 1 1/2 SHCS	2
6	BWA19520	LP SUB ASSY	1
7	BWA19540	HOOK SUB ASSY	1
8	BW19555	HOOK LINK	2
9	BW99108	1/2" SPHERICAL BEARING	4
10	XAE081310	1/2-13 X 1 1/4 FLANGED HHCS	8
11	XDH081300	1/2-13 FLANGED NUT	8
12	XEA082412SS	FLAT WASHER 1/2 X 1 1/2 X 1/8	2
13	XAA081314	1/2-13 X 1 3/4 HHCS	2
14	XDA081300	1/2-13 HEX NUT	2



**BARKER PRODUCTS**  
**1310 MILLER ROAD**  
**GREENVILLE, SC**  
**29607**

DRAWN BY: R WYMAN  
DATE: 7/16/2020  
MATERIAL: NOTED

DO NOT SCALE  
DRAWING  
UNLESS OTHERWISE SPECIFIED:  
DIMENSIONS ARE IN INCHES  
TOLERANCES:  
FRACTIONAL ±1/32  
ANGULAR: MACH ±1° BEND ±1°  
TWO PLACE DECIMAL ±0.010  
THREE PLACE DECIMAL ±0.005

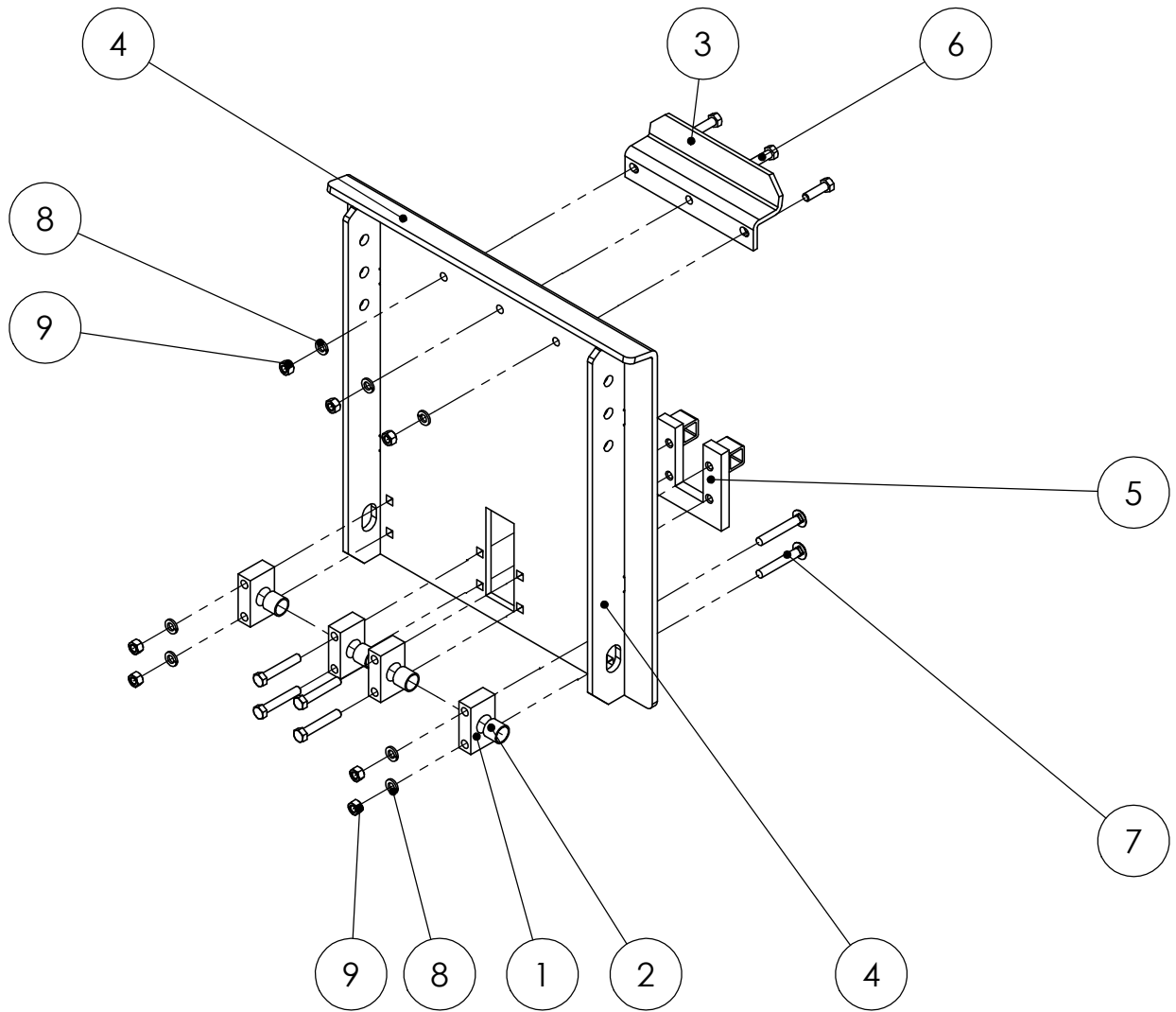
BPH27-5541 LIFT UNIT

DRAWING NO  
BU19541 PARTS

REV  
00

SCALE: 1:8 WEIGHT: 198.819 # SHEET 2 OF 2

ITEM NO.	PART NUMBER	DESCRIPTION	QTY.
1	BW17130	HOOK BEARING MOUNT	4
2	BW03195	12-DU-12 BEARING	4
3	BW00800	SADDLE	1
4	BW19520	LIFT PLATE	1
5	BW19570	CAN SUPPORT	1
6	XAA061610	3/8-16 X 1 1/4 HHCS	3
7	XAH061620	3/8-16 X 2 1/2 CARRIAGE BOLT	4
8	XEB061000	3/8 LOCK WASHER	7
9	XDA061600	3/8-16 HEX NUT	7
10	XAA061616	3/8-16 X 2 1/4 HHCS	4

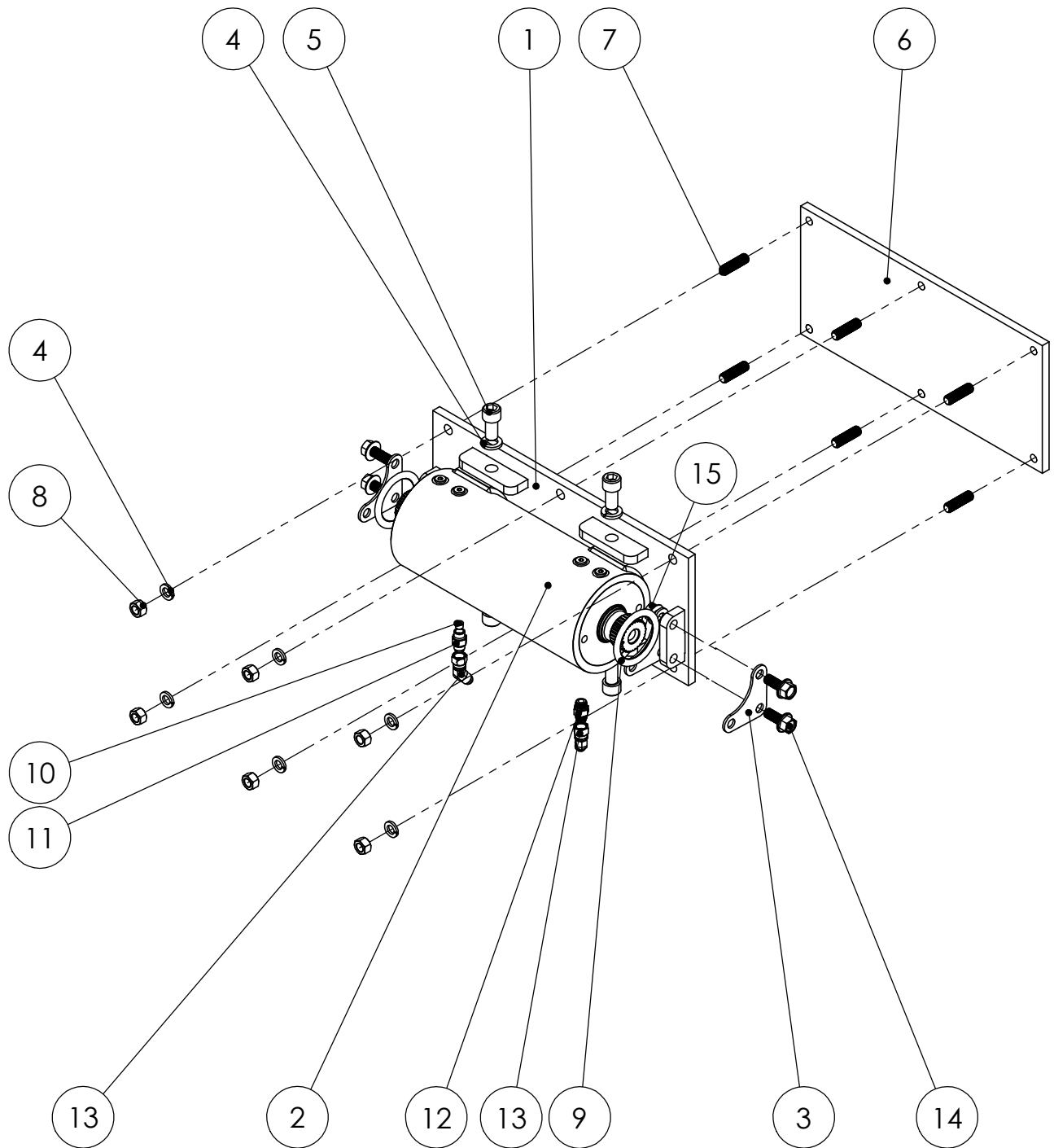


DO NOT SCALE DRAWING		LIFT PLATE SUB ASSY	
UNLESS OTHERWISE SPECIFIED: DIMENSIONS ARE IN INCHES TOLERANCES: FRACTIONAL ±1/32 ANGULAR: MACH ±1° BEND ±1° TWO PLACE DECIMAL ±0.010 THREE PLACE DECIMAL ±0.005		DRAWING NO BWA19520	REV 00
SCALE: 1:8	WEIGHT: 46.783 #	SHEET 1 OF 1	



**BARKER PRODUCTS**  
1310 MILLER ROAD  
GREENVILLE, SC  
29607

DRAWN BY: R WYMAN  
DATE: 7/16/2020  
MATERIAL: NOTED



**BARKER PRODUCTS**  
**1310 MILLER ROAD**  
**GREENVILLE, SC**  
**29607**

DRAWN BY: R WYMAN  
 DATE: 7/16/2020  
 MATERIAL: NOTED

DO NOT SCALE  
 DRAWING  
 UNLESS OTHERWISE SPECIFIED:  
 DIMENSIONS ARE IN INCHES  
 TOLERANCES:  
 FRACTIONAL  $\pm 1/32$   
 ANGULAR: MACH  $\pm 1^\circ$  BEND  $\pm 1^\circ$   
 TWO PLACE DECIMAL  $\pm 0.010$   
 THREE PLACE DECIMAL  $\pm 0.005$

MAINFRAME SUB ASSY  
 BU19541

DRAWING NO  
 BWA19535

REV  
 00

SCALE: 1:8 WEIGHT: 123.953 # SHEET 1 OF 2

ITEM NO.	PART NUMBER	DESCRIPTION	QTY.
1	BW19535	MAINFRAME SUB ASSY	1
2	BW18300	ACTUATOR	1
3	BW19565	HOOK LINK PIVOT CAP	4
4	XEB101000	5/8 LOCKWASHER	10
5	XAB101110	5/8-11 X 1 1/4 SHCS	4
6	BW17525	MOUNT PLATE - N	1
7	BW07140	PLATE STUD	6
8	XDA082000	1/2-20 HEX NUT	6
9	BW18002	O-RING GREASE SEAL	2
10	BV00025	1 1/6 X 1/8 NPT ORIFICE PLUG	1
11	BV00064	6T X 6S ORIFICE FITTING	1
12	BR03830	6400-06-06 M TUBE O-RING	1
13	BR04842	6502-06-06 MJ-FJS 45 DEG	2
14	XAE081310	1/2-13 X 1 1/4 FLANGED HHCS	4
15	XDH081300	1/2-13 FLANGED NUT	4

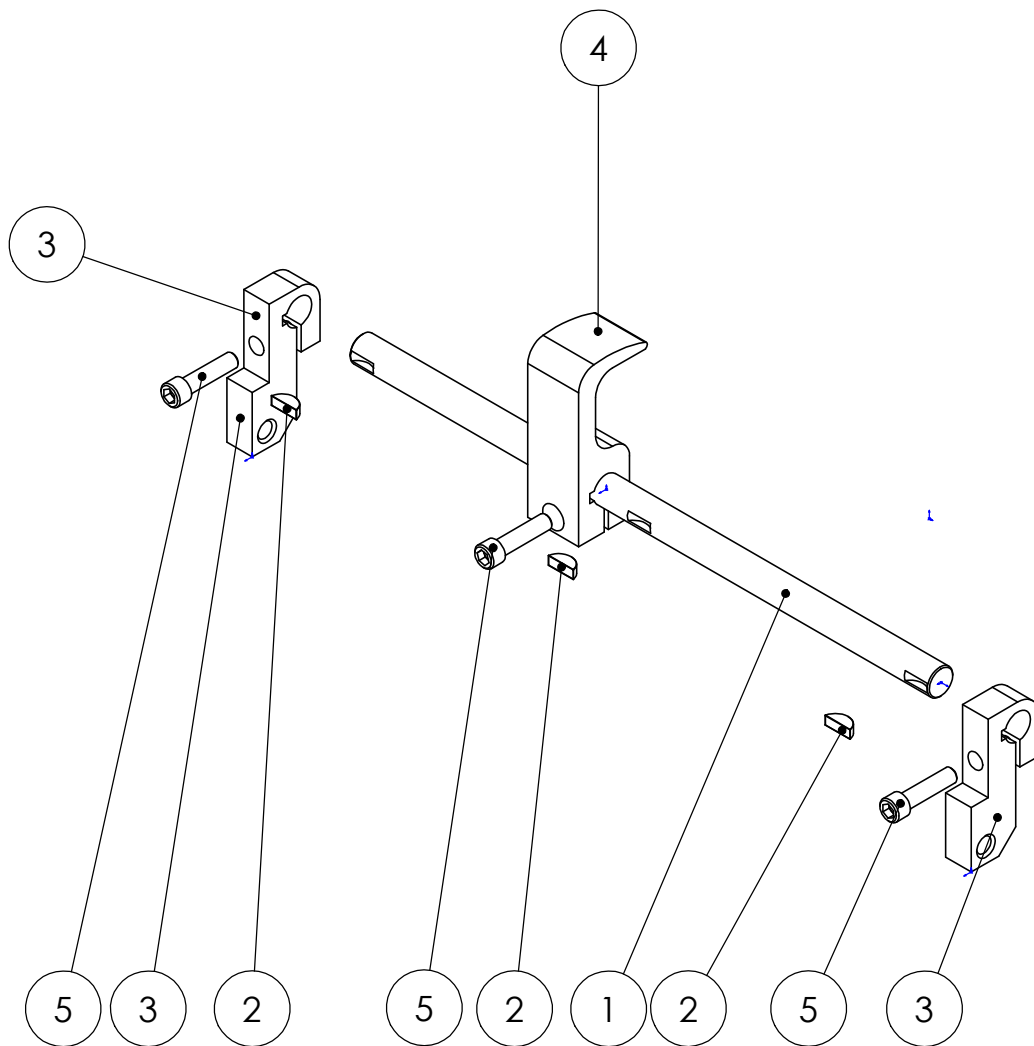


**BARKER PRODUCTS**  
**1310 MILLER ROAD**  
**GREENVILLE, SC**  
**29607**

DRAWN BY: R WYMAN  
DATE: 7/16/2020  
MATERIAL: NOTED

DO NOT SCALE DRAWING	MAINFRAME SUB ASSY	
UNLESS OTHERWISE SPECIFIED: DIMENSIONS ARE IN INCHES TOLERANCES:	BU19541	REV 00
FRACTIONAL ±1/32 ANGULAR: MACH ±1° BEND ±1° TWO PLACE DECIMAL ±0.010 THREE PLACE DECIMAL ±0.005	DRAWING NO BWA19535	
	SCALE: 1:8	WEIGHT: 123.953 # SHEET 2 OF 2

ITEM NO.	PART NUMBER	DESCRIPTION	QTY.
1	BW19540	HOOK SHAFT	1
2	BW07560	WOODRUFF KEY #806	3
3	BW06780	HOOK DRIVE	2
4	BW07490	HOOK	1
5	XAB061612	3/8-16 X 1 1/2 HHCS	3



DO NOT SCALE DRAWING		HOOK SUB ASSY	
UNLESS OTHERWISE SPECIFIED: DIMENSIONS ARE IN INCHES TOLERANCES: FRACTIONAL ±1/32 ANGULAR: MACH ±1° BEND ±1° TWO PLACE DECIMAL ±0.010 THREE PLACE DECIMAL ±0.005		DRAWING NO BWA19540	REV 00
MATERIAL: NOTED		SCALE: 1:4	WEIGHT: 5.450 # SHEET 1 OF 1



**BARKER PRODUCTS**  
1310 MILLER ROAD  
GREENVILLE, SC  
29607

DRAWN BY: R WYMAN  
DATE: 7/16/2020  
MATERIAL: NOTED